

FASTENERS  
(BY OTHERS)

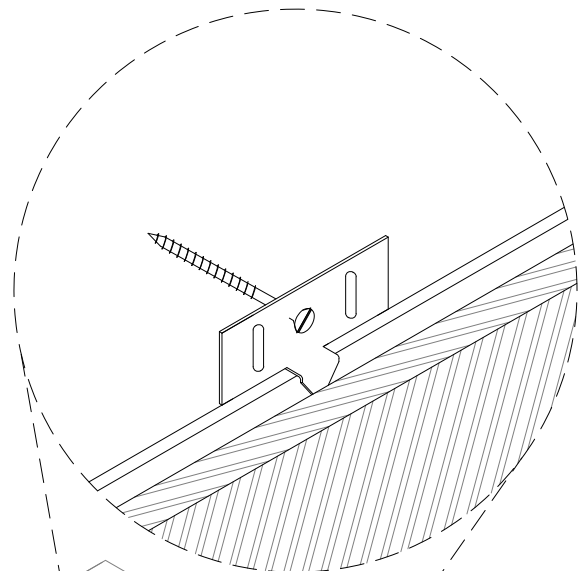
LINEAR ATTACHMENT  
CLIP #WDACLWIC

WOOD OR STEEL  
STUD (TYP.)

LINEAR ATTACHMENT  
CLIP FASTENED TO STUD  
OR CEILING JOIST

1/2" DRYWALL

LINEAR BUTT  
JOINT CONDITION  
SHOWN  
(JOINT CONDITION  
AS SPECIFIED)



1

### DIRECT ATTACHMENT W/ ENLARGED DETAIL - TP.

SCALE: 1 1/2" = 1'-0"



123 Columbia Court North Chaska, MN 55318 (888) 258 4637

COPYRIGHT ACOUSTIGREEN © 2015

### DRAWING NAME: LINEAR T&G SYSTEM DIRECT ATTACHMENT

DRAFTED BY: YPN

LAST REVISED: 01/29/2016

SCALE: AS NOTED

DO NOT SCALE DRAWING. FIGURED DIMENSIONS ARE TO BE FOLLOWED. READ THIS DRAWING IN CONNECTION WITH GENERAL ARCHITECTURAL PLANS, STRUCTURAL PLANS, AND OTHER RELATED DRAWINGS. THESE DRAWINGS REPRESENT ACOUSTIGREEN'S UNDERSTANDING AND INTERPRETATION OF THE ARCHITECTURAL DRAWINGS AND HOW ACOUSTIGREEN PRODUCTS RELATE TO THE PROJECT.