

2" BUGLE HEAD SCREW (TYP.)
(BY OTHERS)

LINEAR ATTACHMENT CLIP
WDACLWIIDC

1" OR 2" ACOUSTICAL BACKER

WOOD OR STEEL STUD (TYP.)

1" OR 2" FURRING STRIP
(BY OTHERS)

DOWEL AS REQUIRED
WDACD1412

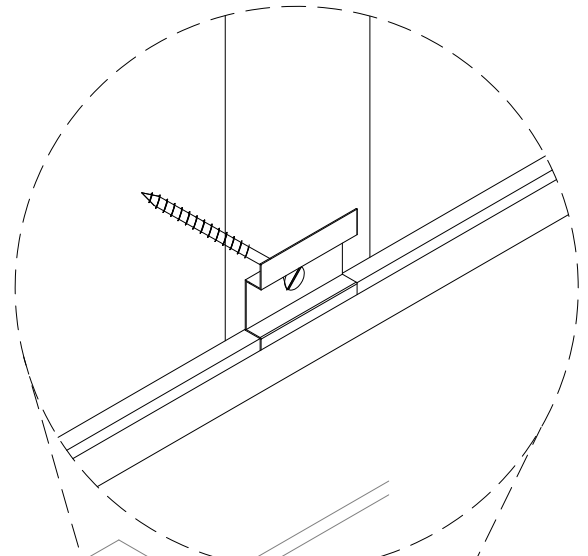
LINEAR ATTACHMENT
CLIP # WDACLWIIDC

1/2" DRYWALL

BLACK FELT FILLER STRIP
(OR AS SPECIFIED)
WDACBFFS1316

16 GA. FINISH NAIL

1 3/4" OR 2 3/4" TRIM
FASTENED WITH
FINISH NAIL
(OPTIONAL)



1 DIRECT ATTACHMENT W/ ENLARGMENT DETAIL - TYP.
SCALE: 1 1/2" = 1'-0"



acoustigreen

123 Columbia Court North Chaska, MN 55318 (888) 258 4637

COPYRIGHT ACOUSTIGREEN © 2015

DRAWING NAME:

LINEAR SYSTEM DIRECT ATTACHMENT

DRAFTED BY: YPN

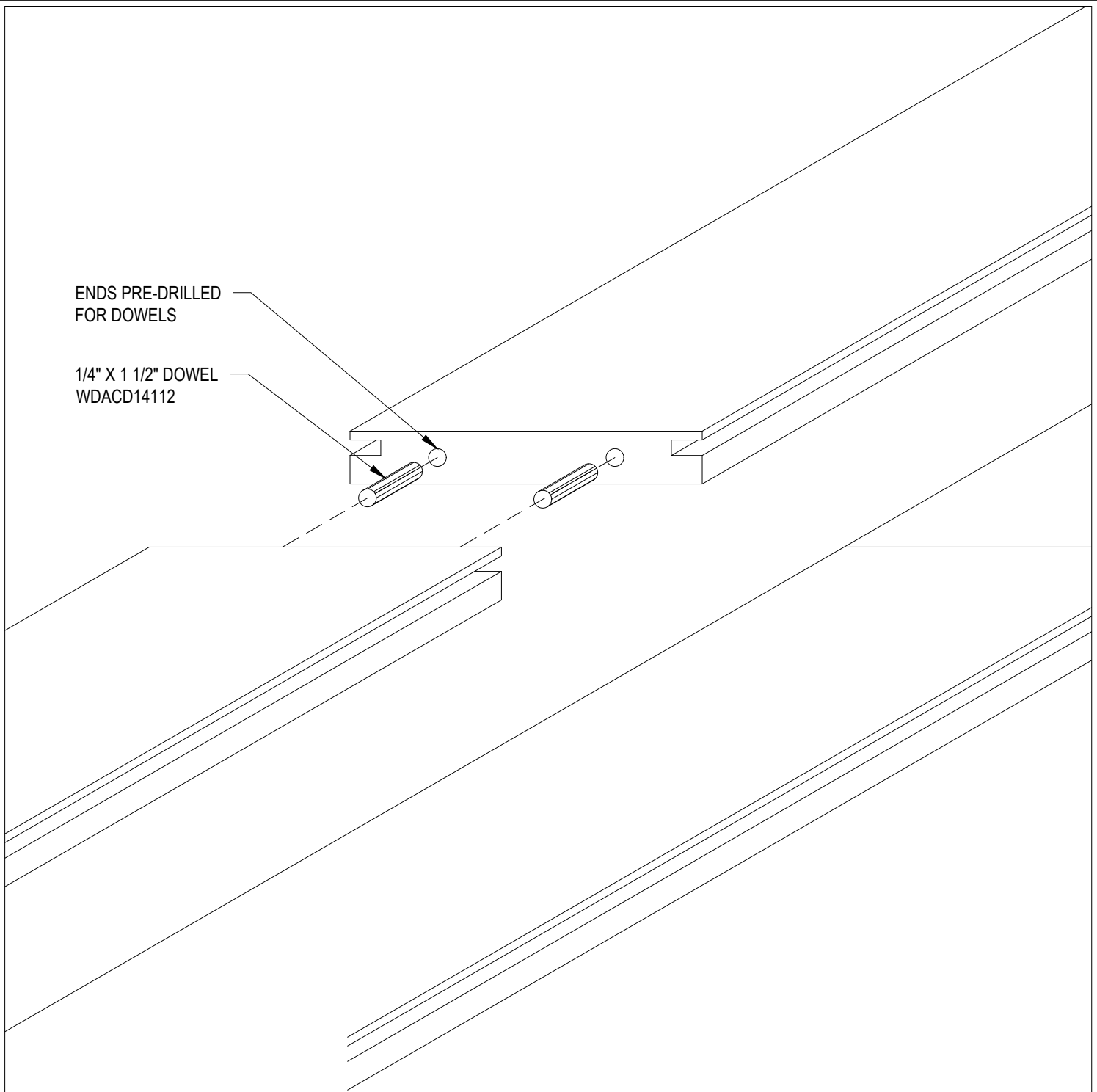
LAST REVISED: 01/08/2016

SCALE: AS NOTED

DO NOT SCALE DRAWING. FIGURED DIMENSIONS ARE TO BE FOLLOWED. READ THIS DRAWING IN CONNECTION WITH GENERAL ARCHITECTURAL PLANS, STRUCTURAL PLANS, AND OTHER RELATED DRAWINGS. THESE DRAWINGS REPRESENT ACOUSTIGREEN'S UNDERSTANDING AND INTERPRETATION OF THE ARCHITECTURAL DRAWINGS AND HOW ACOUSTIGREEN PRODUCTS RELATE TO THE PROJECT.

ENDS PRE-DRILLED
FOR DOWELS

1/4" X 1 1/2" DOWEL
WDACD14112



1

DOWEL ALIGNMENT

SCALE: 6" = 1'-0"



acoustigreen

123 Columbia Court North Chaska, MN 55318 (888) 258 4637

COPYRIGHT ACOUSTIGREEN © 2015

DRAWING NAME:

LINEAR SYSTEM ALIGNMENT CONSTRUCTION

DRAFTED BY: YPN

LAST REVISED: 01/08/2016

SCALE: AS NOTED

DO NOT SCALE DRAWING. FIGURED DIMENSIONS ARE TO BE FOLLOWED. READ THIS DRAWING IN CONNECTION WITH GENERAL ARCHITECTURAL PLANS, STRUCTURAL PLANS, AND OTHER RELATED DRAWINGS. THESE DRAWINGS REPRESENT ACOUSTIGREEN'S UNDERSTANDING AND INTERPRETATION OF THE ARCHITECTURAL DRAWINGS AND HOW ACOUSTIGREEN PRODUCTS RELATE TO THE PROJECT.