

2" BUGLE HEAD SCREW (BY OTHERS)(TYP.)
PRE-DRILL DOWEL PRIOR TO INSTALLATION

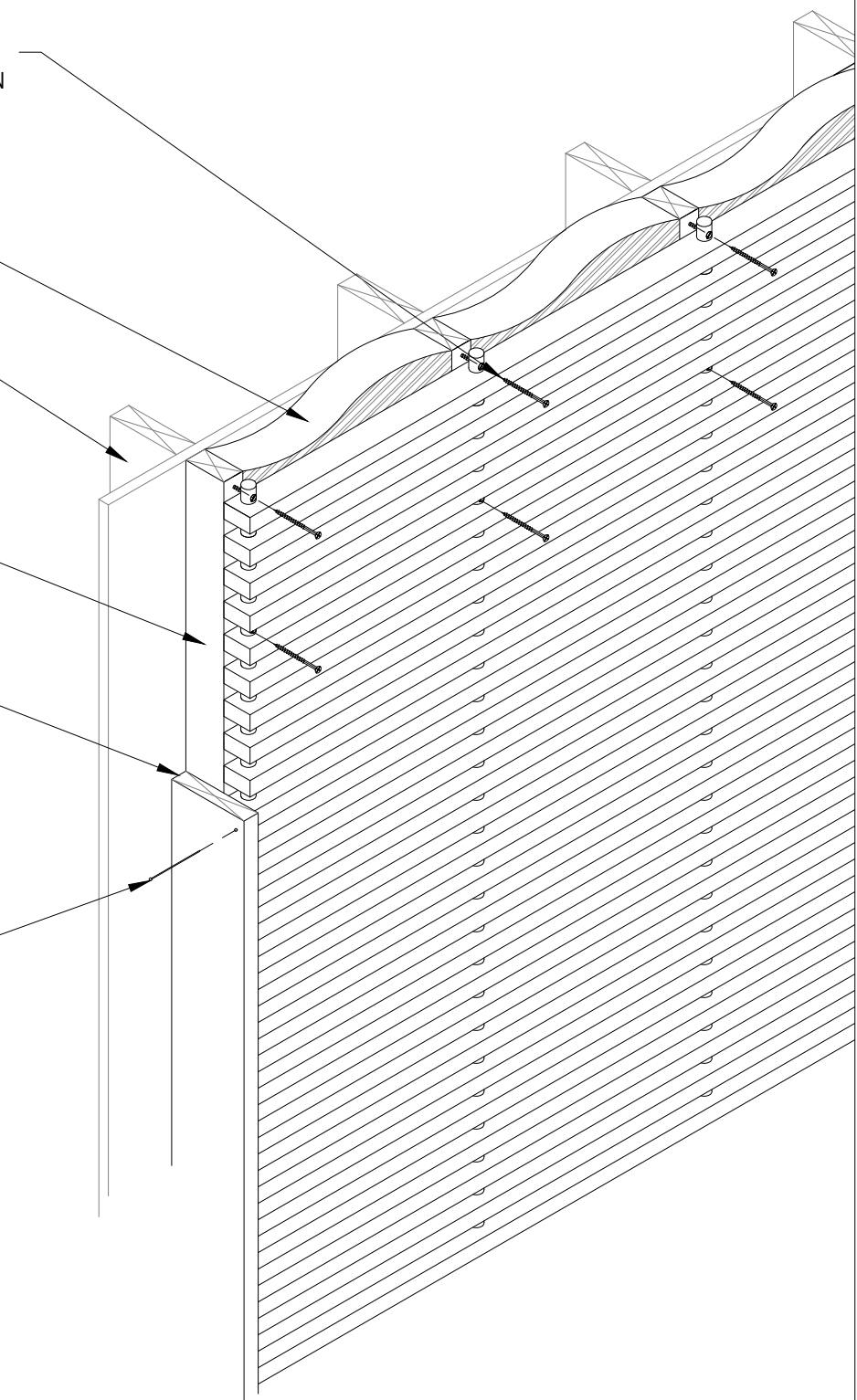
1" OR 2" ACOUSTICAL BACKER
(OPTIONAL)

WOOD OR STEEL STUD (BY OTHERS)

1" OR 2" FURRING STRIP
(BY OTHERS)

OPTIONAL CUSTOM TRIM
FASTENED WITH FINISH
NAILS (BY INSTALLER)

16 GA. FINISH NAIL
(PUTTY TO MATCH
FINISH - BY INSTALLER)



1

DIRECT ATTACHMENT - TYP.

SCALE: 1 1/2" = 1'-0"



acoustigreen

123 Columbia Court North Chaska, MN 55318 (888) 258 4637

COPYRIGHT ACOUSTIGREEN © 2015

DRAWING NAME:

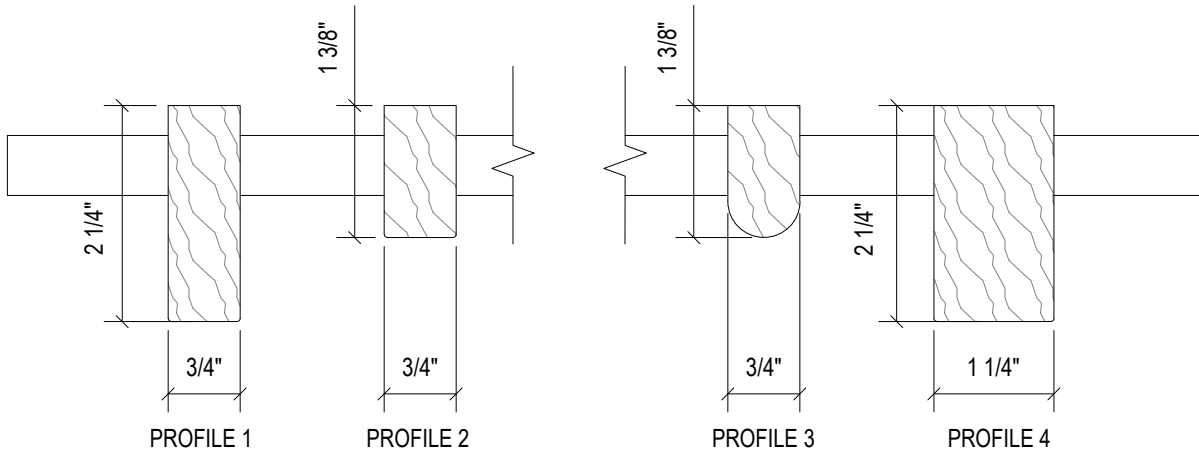
GRILLE SYSTEM DIRECT ATTACHMENT

DRAFTED BY: YPN

LAST REVISED: 1/28/16

SCALE: AS NOTED

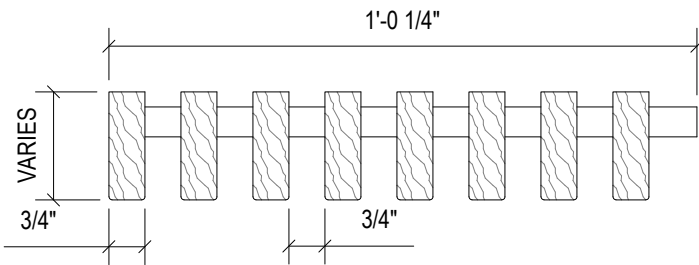
DO NOT SCALE DRAWING. FIGURED DIMENSIONS ARE TO BE FOLLOWED. READ THIS DRAWING IN CONNECTION WITH GENERAL ARCHITECTURAL PLANS, STRUCTURAL PLANS, AND OTHER RELATED DRAWINGS. THESE DRAWINGS REPRESENT ACOUSTIGREEN'S UNDERSTANDING AND INTERPRETATION OF THE ARCHITECTURAL DRAWINGS AND HOW ACOUSTIGREEN PRODUCTS RELATE TO THE PROJECT.



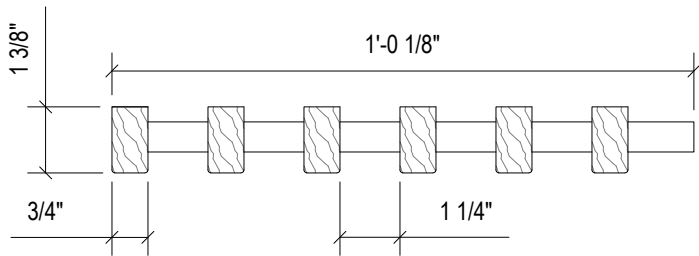
VENEER OR SOLID WOOD

SOLID WOOD ONLY

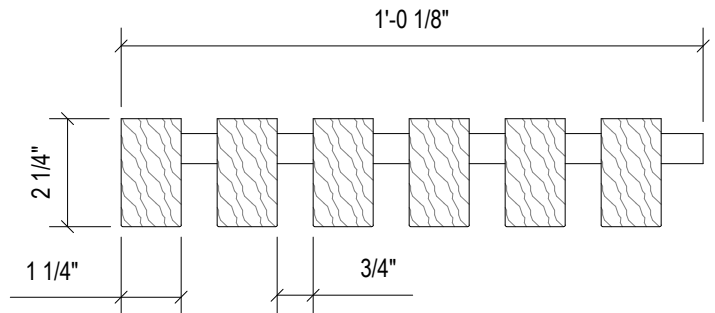
1 COMMON STAVE PROFILES
SCALE: 6" = 1'-0"



3/4" STAVE, 3/4" REVEAL - 8 STAVE PER FOOT



3/4" STAVE, 1 1/4" REVEAL - 6 STAVE PER FOOT



1 1/4" STAVE, 3/4" REVEAL - 6 STAVE PER FOOT

2 COMMON GRILLE PANEL LAYOUTS
SCALE: 3" = 1'-0"