

NOTES:

- NEVER LESS THAN (4) PER PANEL
- 5# PER SPRING MAX.
- ALWAYS EVEN NUMBER OF SPRINGS

MINIMUM REQUIREMENTS:

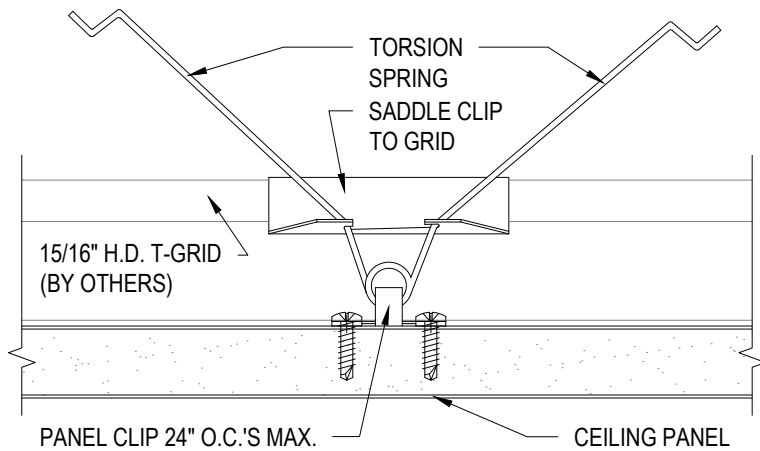
- PANELS UP TO 20# WILL REQUIRE (4) SPRINGS
- PANELS FROM 20# TO 30# WILL REQUIRE (6) SPRINGS
- PANELS FROM 30# TO 40# WILL REQUIRE (8) SPRINGS

INCREASE QUANTITY OF SPRINGS PER SIZE AND WEIGHT BASED ON THE GUIDELINES ABOVE.

PANEL CLIPS/ SPRINGS ARE ALSO REQUIRED EVERY 24" O.C. MAX., TO AVOID PANEL SAG

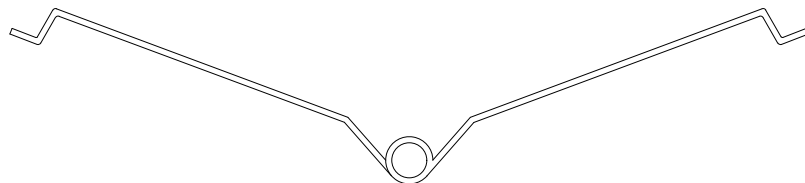
1 TORSION SPRING SECTION

SCALE: 6" = 1'-0"



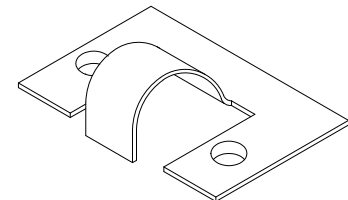
2 TORSION SPRING SIDE VIEW

SCALE: 6" = 1'-0"



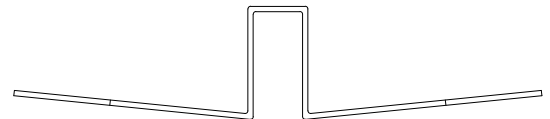
3 TORSION SPRING CLIP

SCALE: 6" = 1'-0"



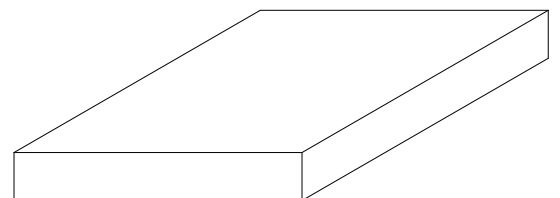
4 SINGLE SIDED SADDLE

SCALE: FULL



5 SADDLE CLIP

SCALE: FULL



6 ALIGNMENT BLOCK

SCALE: FULL



acoustigreen

123 Columbia Court North Chaska, MN 55318 (888) 258 4637

COPYRIGHT ACOUSTIGREEN © 2015

DRAWING NAME:

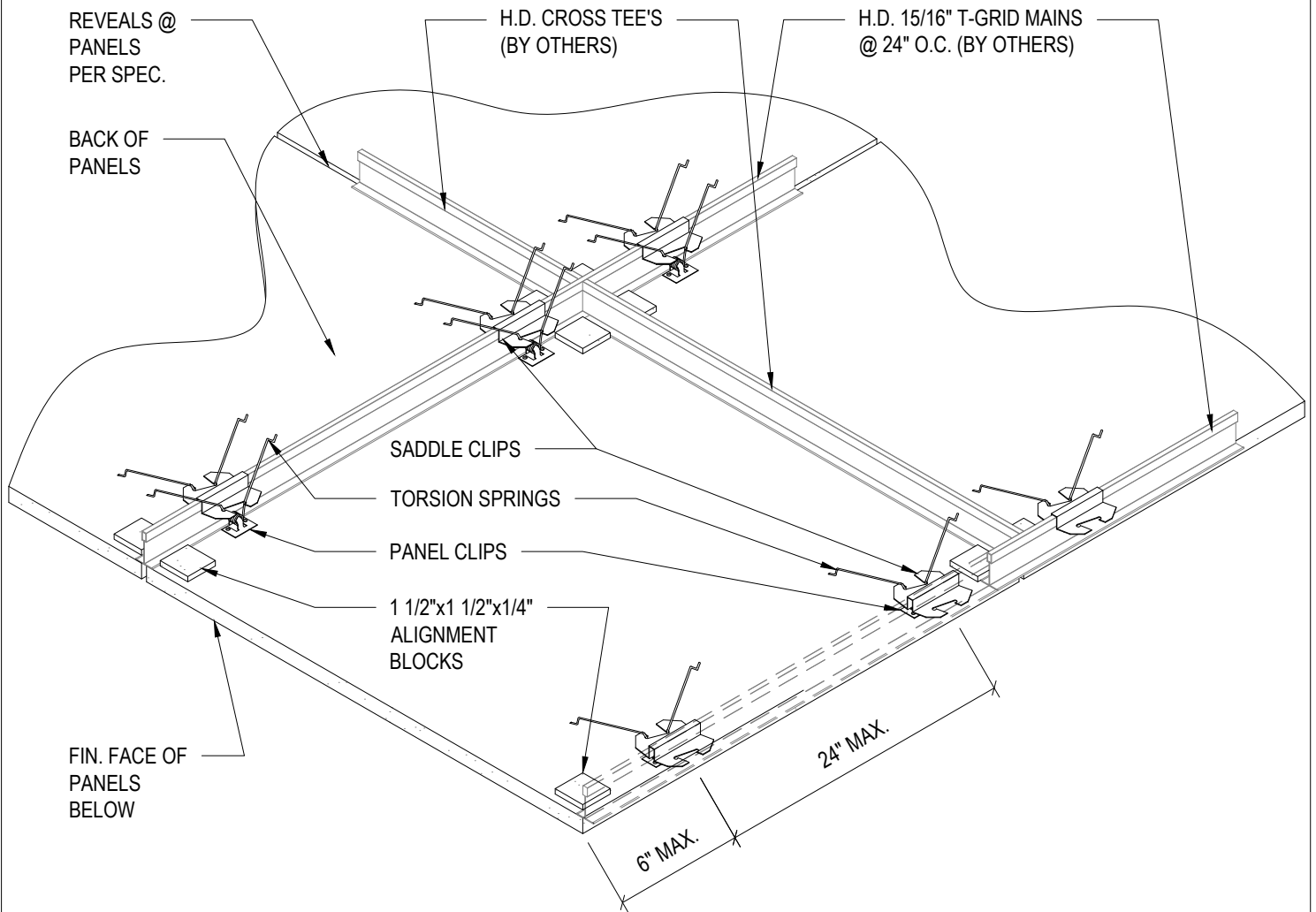
TORSION SPRINGS CEILING PANEL SYSTEM

DRAFTED BY: BCO

LAST REVISED: 6/01/16


SCALE: AS NOTED

DO NOT SCALE DRAWING. FIGURED DIMENSIONS ARE TO BE FOLLOWED. READ THIS DRAWING IN CONNECTION WITH GENERAL ARCHITECTURAL PLANS, STRUCTURAL PLANS, AND OTHER RELATED DRAWINGS. THESE DRAWINGS REPRESENT ACOUSTIGREEN'S UNDERSTANDING AND INTERPRETATION OF THE ARCHITECTURAL DRAWINGS AND HOW ACOUSTIGREEN PRODUCTS RELATE TO THE PROJECT.

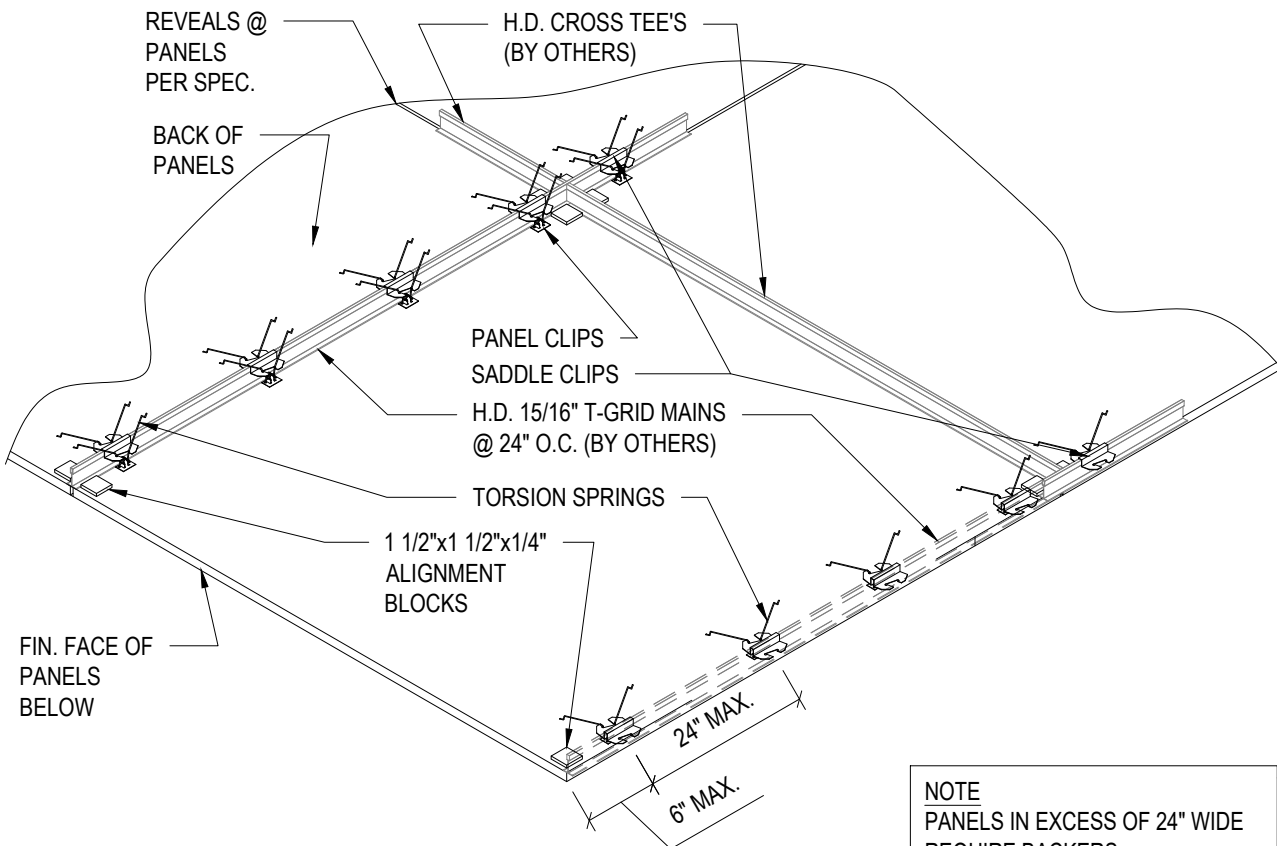


NOTE
 PANELS IN EXCESS OF 24" WIDE
 REQUIRE BACKERS

1 TORSION SPRINGS INSTALLED - TYP. 2X2
 SCALE: 1 1/2" = 1'-0"

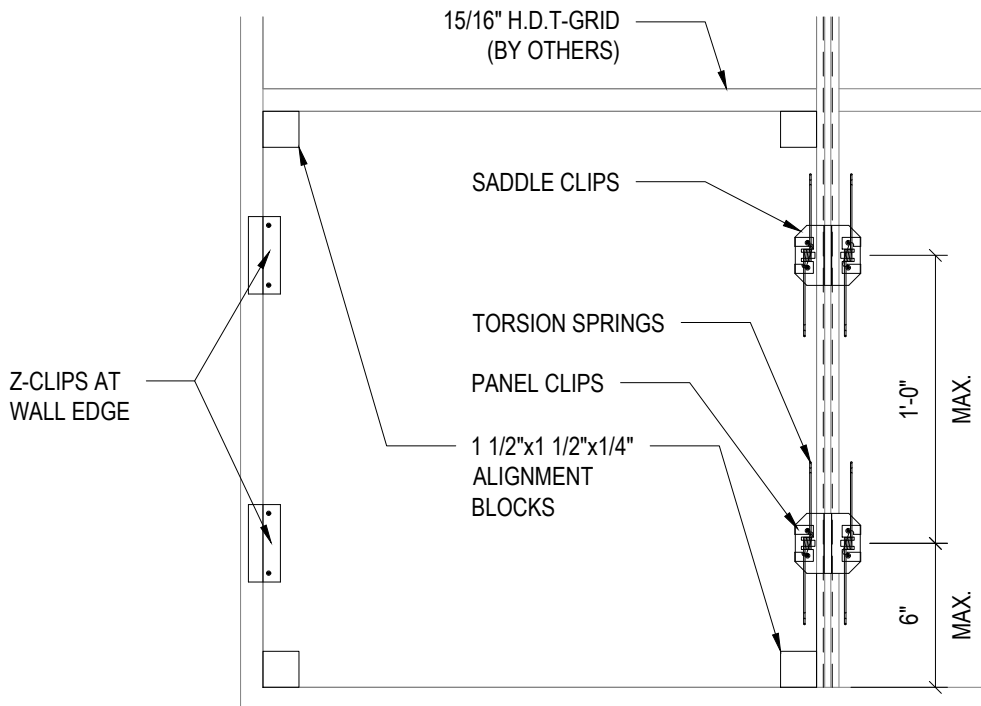
 <p>acoustigreen 123 Columbia Court North Chaska, MN 55318 (888) 258 4637</p> <p><small>COPYRIGHT ACOUSTIGREEN © 2015</small></p>	DRAWING NAME: TORSION SPRINGS SYSTEM INSTALLED TYP. 2X2	
	DRAFTED BY: BCO	LAST REVISED: 6/01/2016

DO NOT SCALE DRAWING. FIGURED DIMENSIONS ARE TO BE FOLLOWED. READ THIS DRAWING IN CONNECTION WITH GENERAL ARCHITECTURAL PLANS, STRUCTURAL PLANS, AND OTHER RELATED DRAWINGS. THESE DRAWINGS REPRESENT ACOUSTIGREEN'S UNDERSTANDING AND INTERPRETATION OF THE ARCHITECTURAL DRAWINGS AND HOW ACOUSTIGREEN PRODUCTS RELATE TO THE PROJECT.

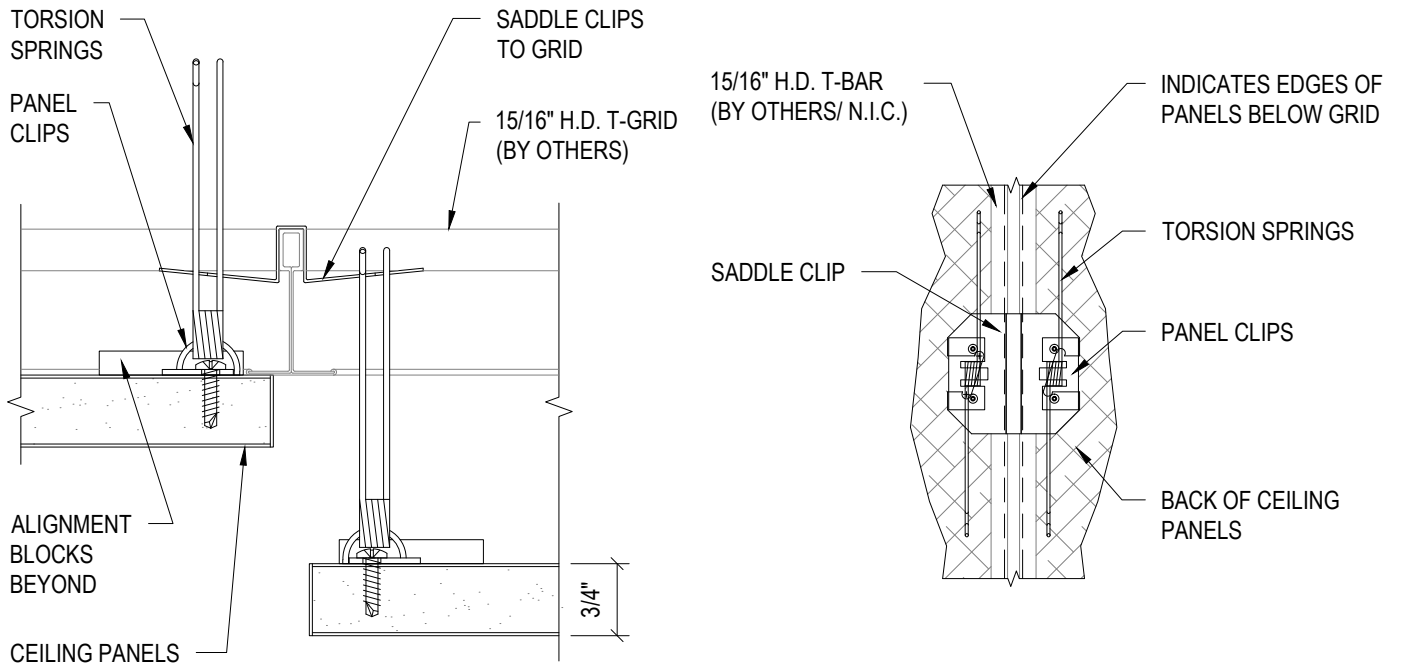


NOTE
 PANELS IN EXCESS OF 24" WIDE
 REQUIRE BACKERS

1 TORSION SPRINGS INSTALLED - TYP. 4X4
 SCALE: 3/4" = 1'-0"

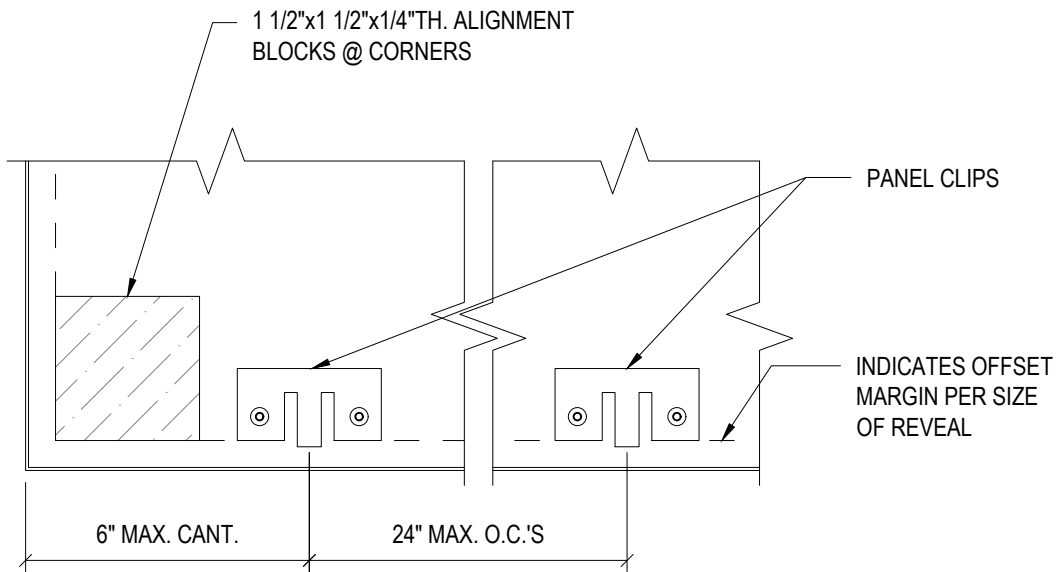


1 TORSION SPRINGS INSTALLED - TYP. 2X2 AT WALL
 SCALE: 1 1/2" = 1'-0"



1 TYP. INSTALLED PANEL ACCESS
SCALE: 6" = 1'-0"

2 INSTALLED BACK OF PANELS
SCALE: 3" = 1'-0"



3 PANEL CLIP PLACEMENT @ BACK OF PANEL
SCALE: 6" = 1'-0"



acoustigreen

123 Columbia Court North Chaska, MN 55318 (888) 258 4637

COPYRIGHT ACOUSTIGREEN © 2015

DRAWING NAME:

TORSION SPRINGS SYSTEM PLACEMENT & INSTALLATION

DRAFTED BY: BCO

LAST REVISED: 6/01/2016

SCALE: AS NOTED

DO NOT SCALE DRAWING. FIGURED DIMENSIONS ARE TO BE FOLLOWED. READ THIS DRAWING IN CONNECTION WITH GENERAL ARCHITECTURAL PLANS, STRUCTURAL PLANS, AND OTHER RELATED DRAWINGS. THESE DRAWINGS REPRESENT ACOUSTIGREEN'S UNDERSTANDING AND INTERPRETATION OF THE ARCHITECTURAL DRAWINGS AND HOW ACOUSTIGREEN PRODUCTS RELATE TO THE PROJECT.