

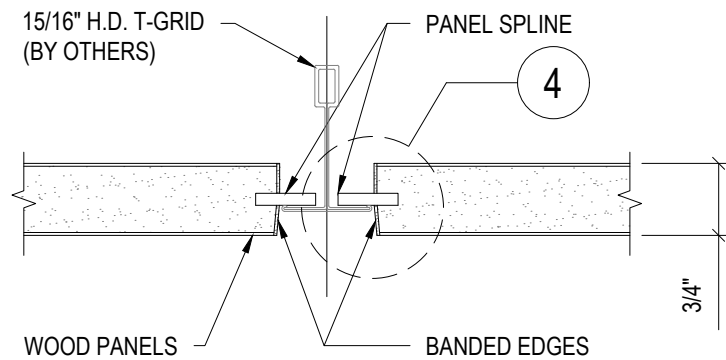
NOTES:

ALL CLIPS AND PANEL SCREWS PROVIDED BY ACOUSTIGREEN AND INSTALLED BY OTHERS.

TEGULAR PANELS FOR 9/16" T-GRID NOT AVAILABLE.

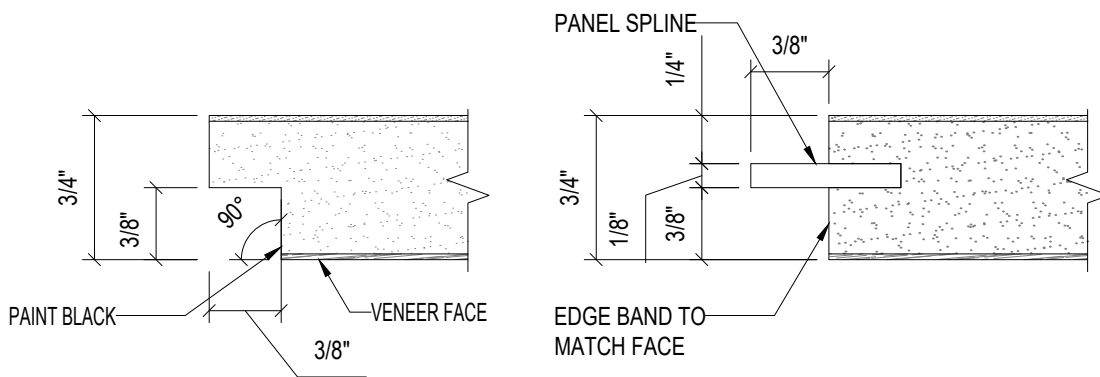
1 TEGULAR EDGE SECTION

SCALE: 6" = 1'-0"



2 OPTIONAL TEGULAR SPLINE EDGE

SCALE: 6" = 1'-0"



3 15/16" T-GRID PANEL EDGE

SCALE: 1'-0" = 1'-0"

4 15/16" T-GRID PANEL EDGE (SPLINE)

SCALE: 1'-0" = 1'-0"



acoustigreen

123 Columbia Court North Chaska, MN 55318 (888) 258 4637

COPYRIGHT ACOUSTIGREEN © 2015

DRAWING NAME:

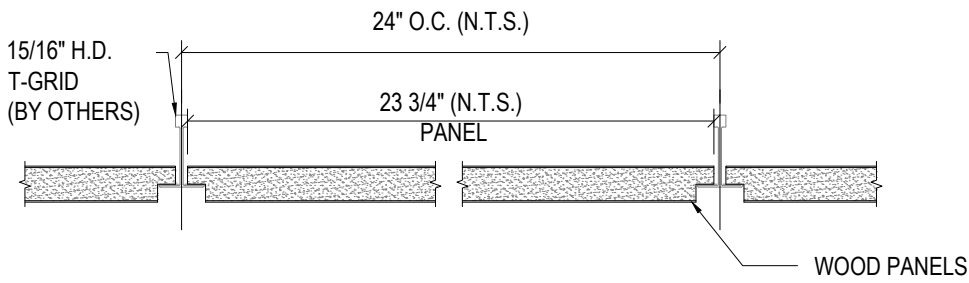
TEGULAR CEILING PANEL SYSTEM

DRAFTED BY: BCO

LAST REVISED: 1/29/2016

SCALE: NTS

DO NOT SCALE DRAWING. FIGURED DIMENSIONS ARE TO BE FOLLOWED. READ THIS DRAWING IN CONNECTION WITH GENERAL ARCHITECTURAL PLANS, STRUCTURAL PLANS, AND OTHER RELATED DRAWINGS. THESE DRAWINGS REPRESENT ACOUSTIGREEN'S UNDERSTANDING AND INTERPRETATION OF THE ARCHITECTURAL DRAWINGS AND HOW ACOUSTIGREEN PRODUCTS RELATE TO THE PROJECT.

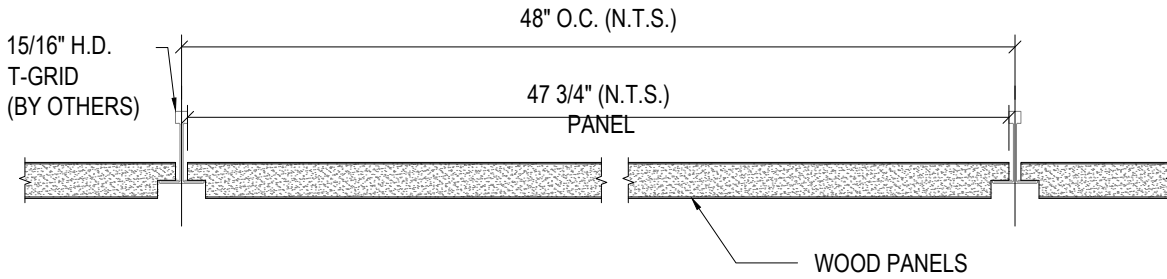


PANELS SIZES
AVAILABLE:

- 2x2
- 2x4
- 2x6
- 2x8

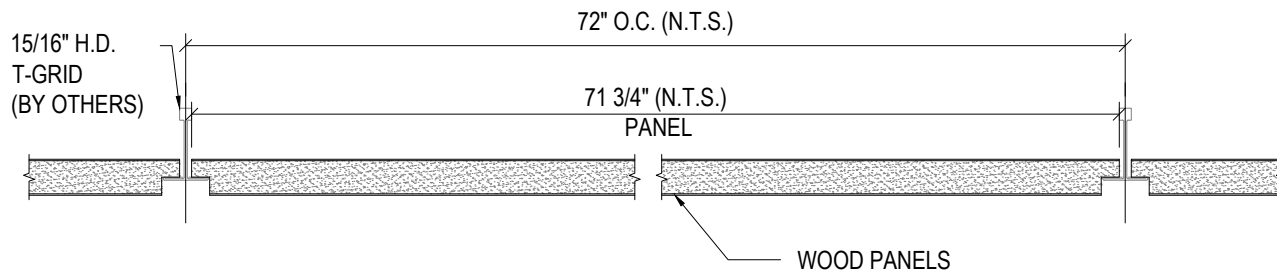
1 2' TEGULAR SECTION

SCALE: 3" = 1'-0"



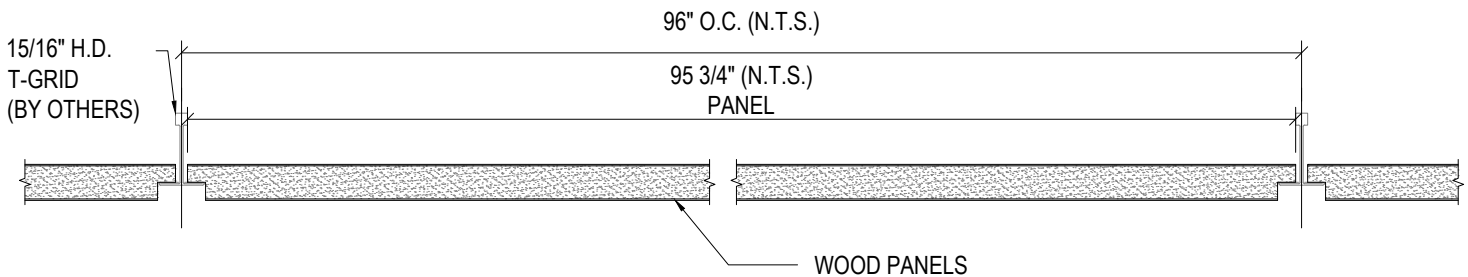
2 4' TEGULAR SECTION

SCALE: 3" = 1'-0"



3 6' TEGULAR SECTION

SCALE: 3" = 1'-0"



4 8' TEGULAR SECTION

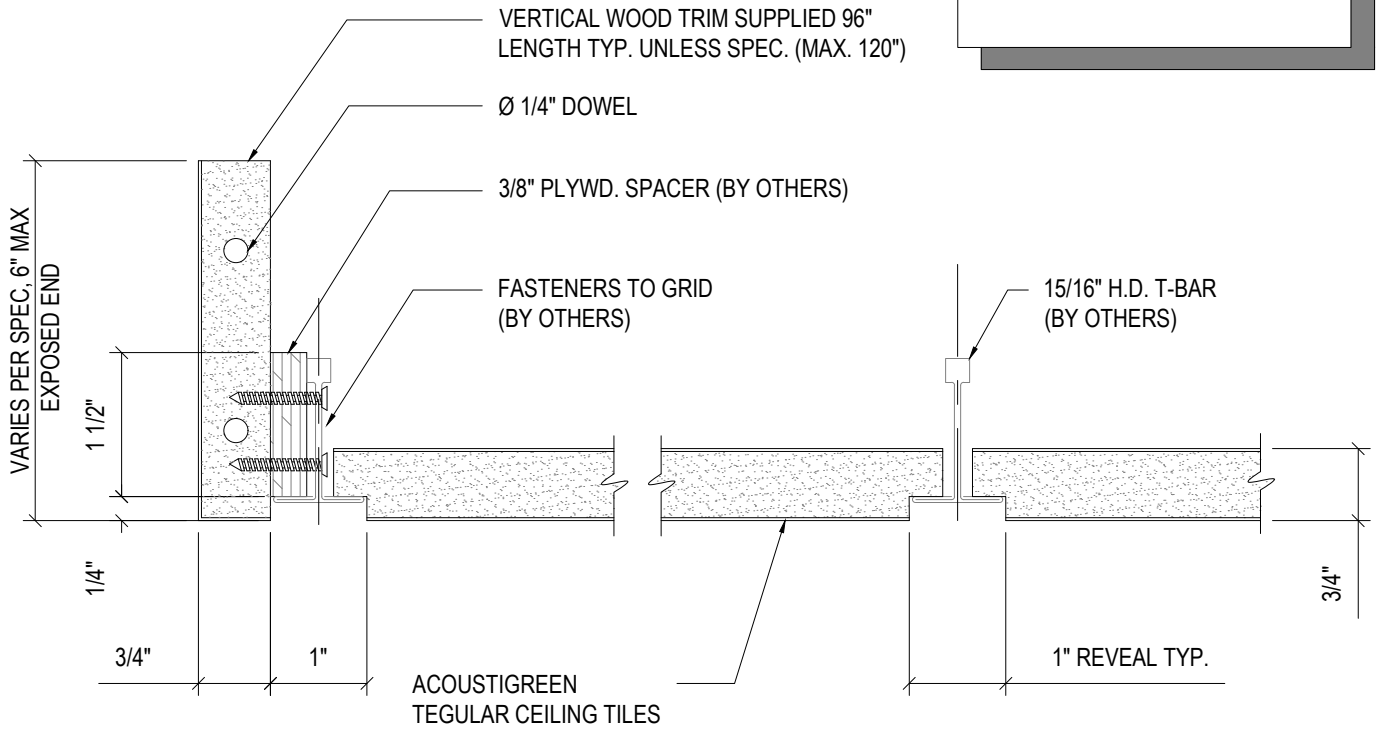
SCALE: 3" = 1'-0"

NOTES:

VERTICAL RETURN FOR HEAVY DUTY APPLICATION ONLY.

ALL CLIPS AND PANEL SCREWS PROVIDED BY ACOUSTIGREEN AND INSTALLED BY OTHERS.

FIELD MITER CUT AT CORNERS.



1

TEGULAR VERTICAL RETURN SECTION

SCALE: 6" = 1'-0"



acoustigreen

123 Columbia Court North Chaska, MN 55318 (888) 258 4637

COPYRIGHT ACOUSTIGREEN © 2015

DRAWING NAME:

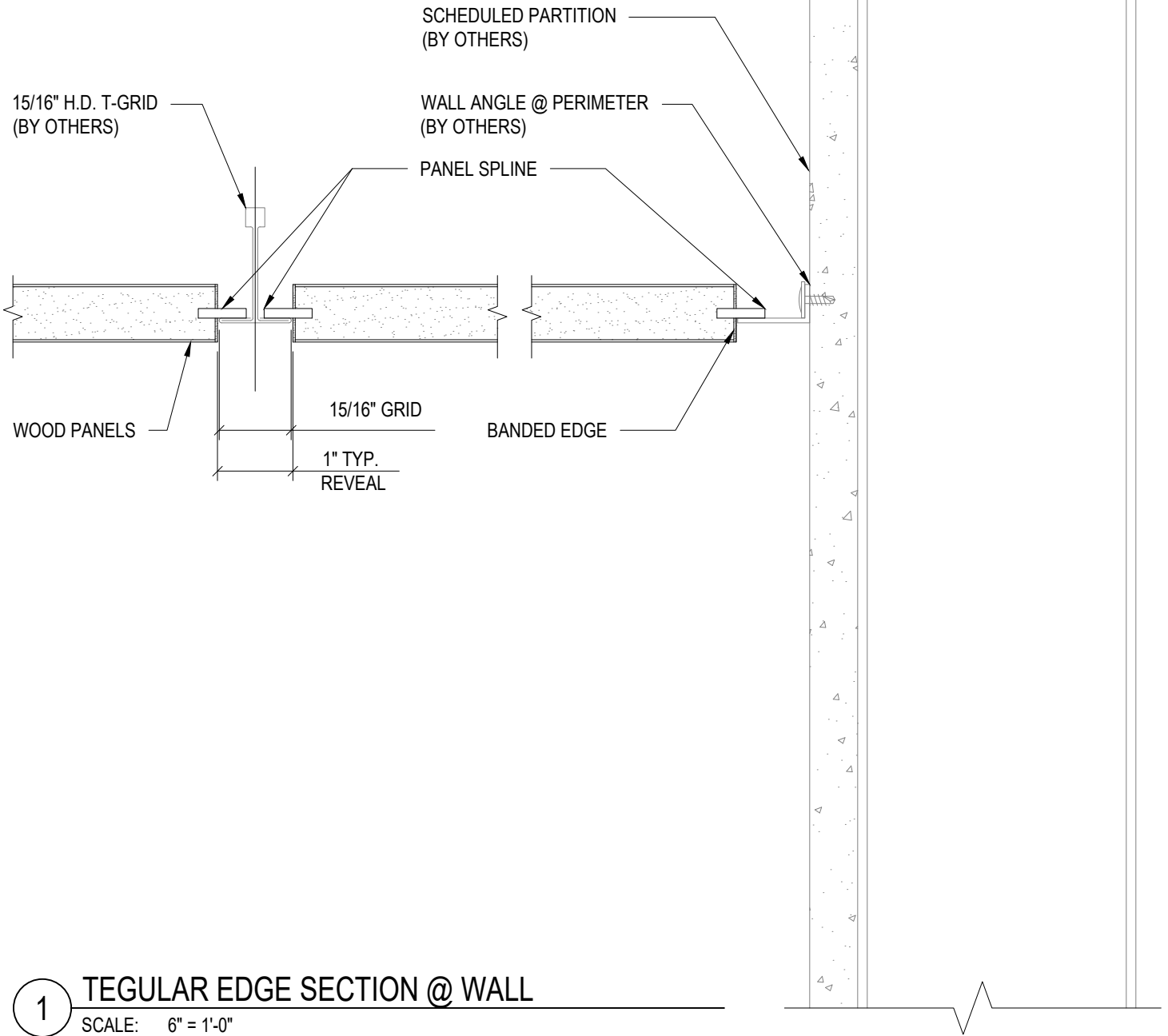
TEGULAR VERTICAL RETURN SECTION

DRAFTED BY: BCO

LAST REVISED: 1/7/2016

SCALE: AS NOTED

DO NOT SCALE DRAWING. FIGURED DIMENSIONS ARE TO BE FOLLOWED. READ THIS DRAWING IN CONNECTION WITH GENERAL ARCHITECTURAL PLANS, STRUCTURAL PLANS, AND OTHER RELATED DRAWINGS. THESE DRAWINGS REPRESENT ACOUSTIGREEN'S UNDERSTANDING AND INTERPRETATION OF THE ARCHITECTURAL DRAWINGS AND HOW ACOUSTIGREEN PRODUCTS RELATE TO THE PROJECT.



1 TEGULAR EDGE SECTION @ WALL
 SCALE: 6" = 1'-0"