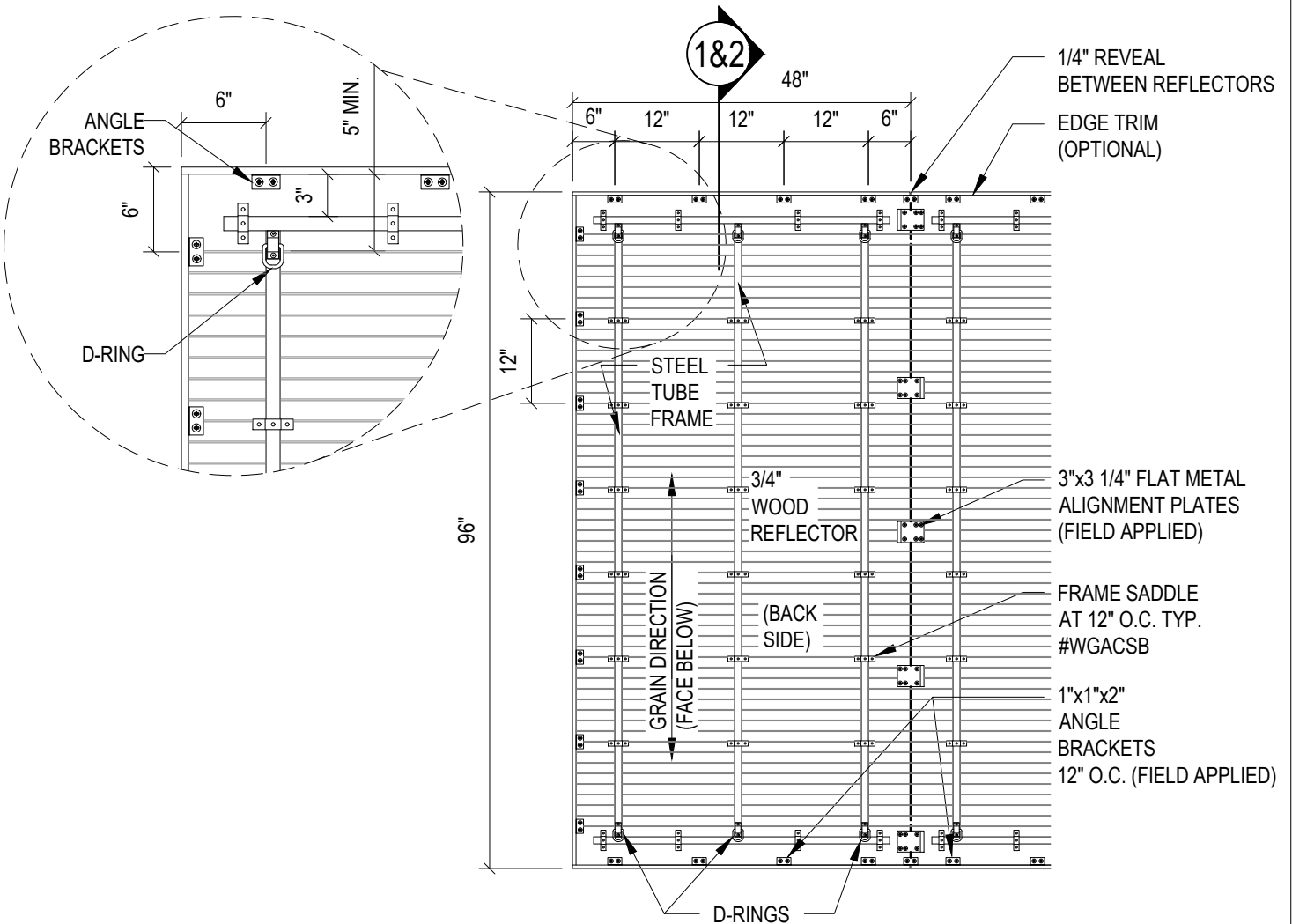


1 FLAT REFLECTOR DETAIL

SCALE: 1 1/2" = 1'-0"

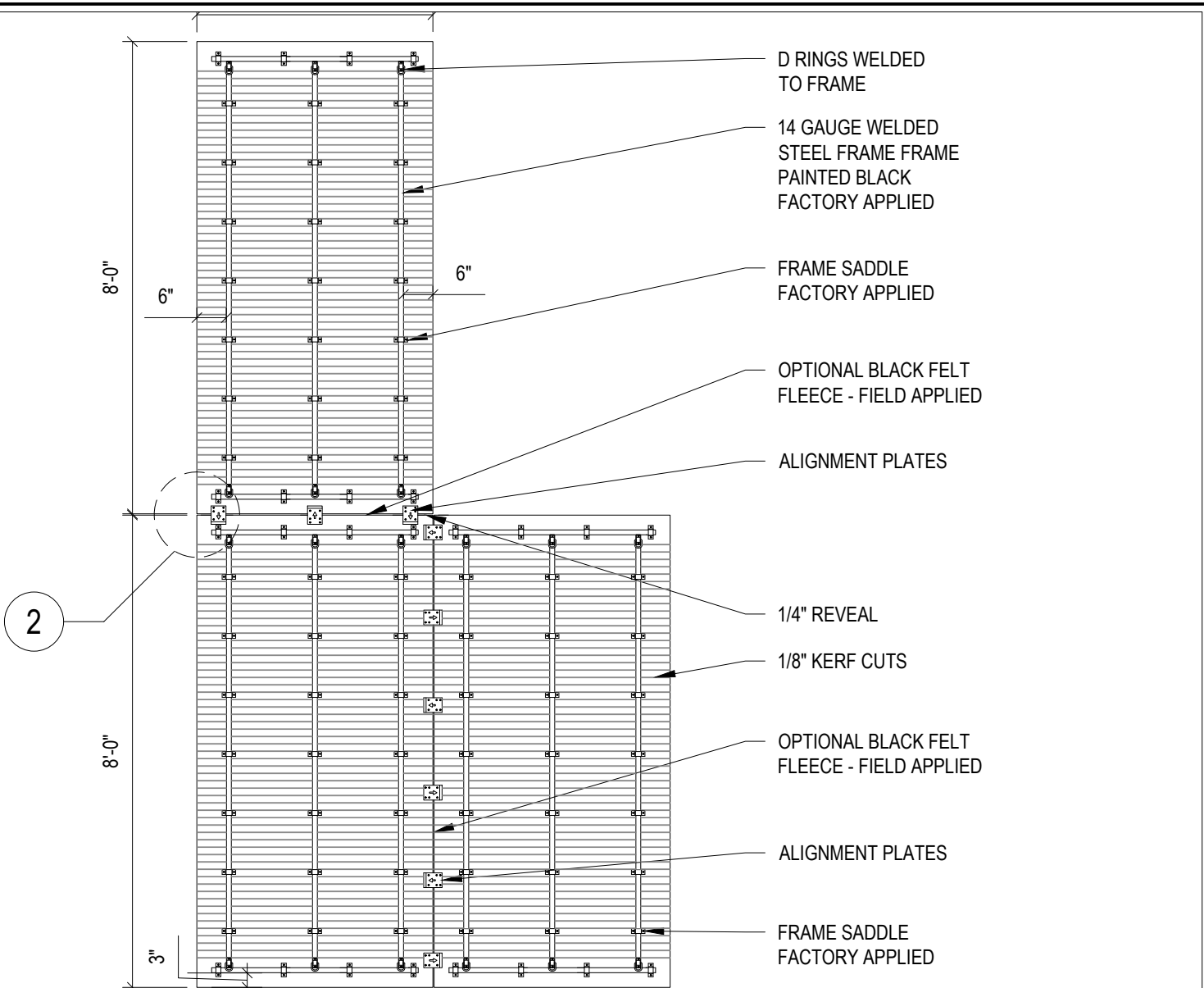
2 CURVED REFLECTOR DETAIL

SCALE: 1 1/2" = 1'-0"



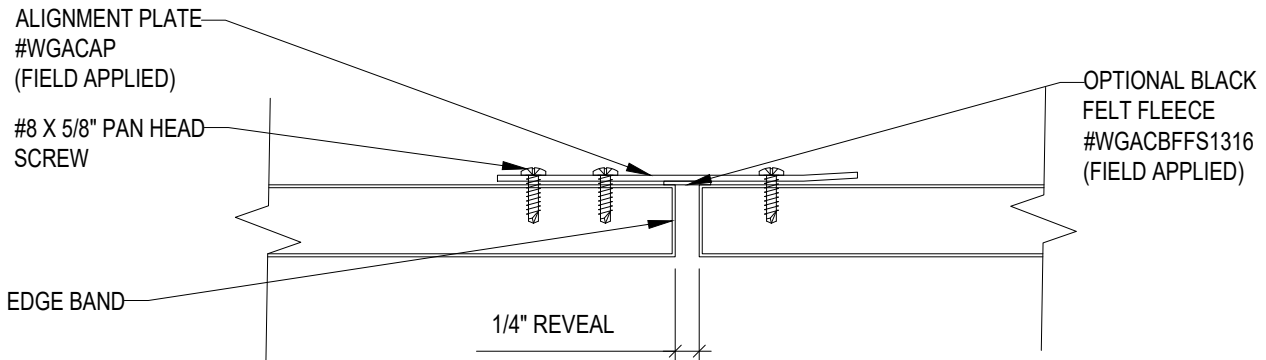
3 REFLECTOR PLAN VIEW - TYP. 4' X 8'

SCALE: 1/2" = 1'-0"



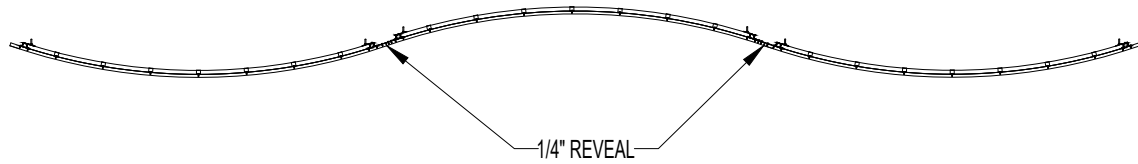
1 REFLECTOR CLOUDS @ JOINTS

SCALE: 3/8" = 1'-0"



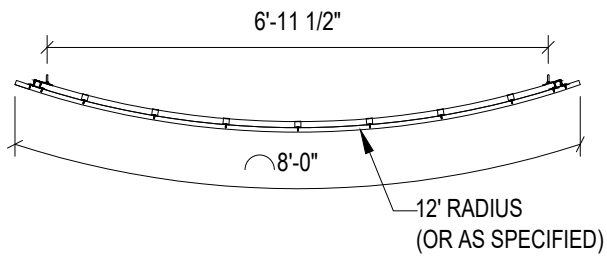
2 PANEL JOINT DETAIL

SCALE: 6" = 1'-0"



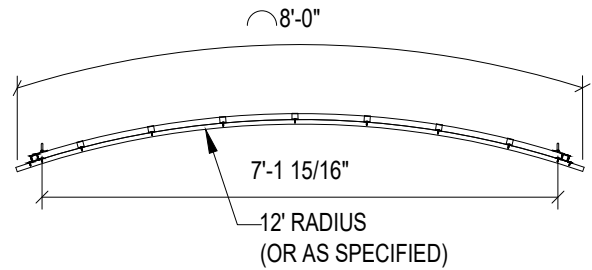
1 SECTION JOINED REFLECTOR CLOUDS

SCALE: 1/4" = 1'-0"



2 CONVEX REFLECTOR SECTION

SCALE: 3/8" = 1'-0"



3 CONCAVE REFLECTOR SECTION

SCALE: 3/8" = 1'-0"



acoustigreen

123 Columbia Court North Chaska, MN 55318 (888) 258 4637

COPYRIGHT ACOUSTIGREEN © 2015

DRAWING NAME:

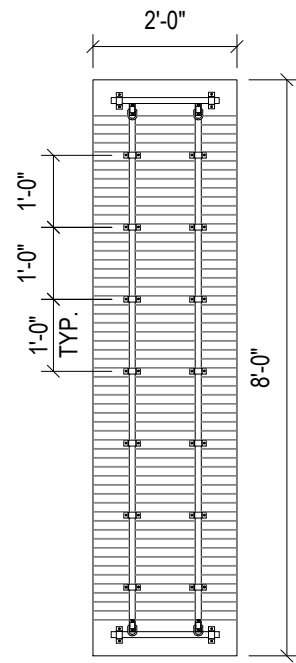
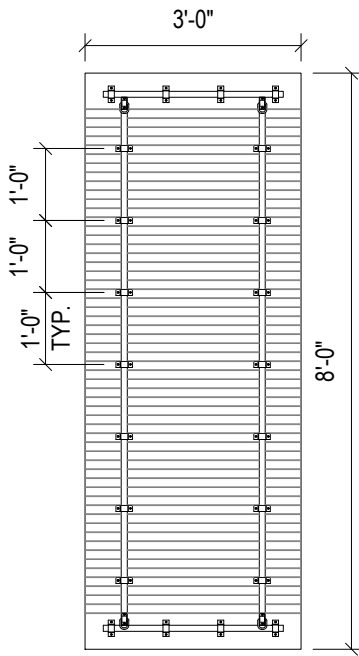
REFLECTOR SYSTEM CLOUDS SECTION DETAIL

DRAFTED BY: BCO

LAST REVISED: 1/11/2016

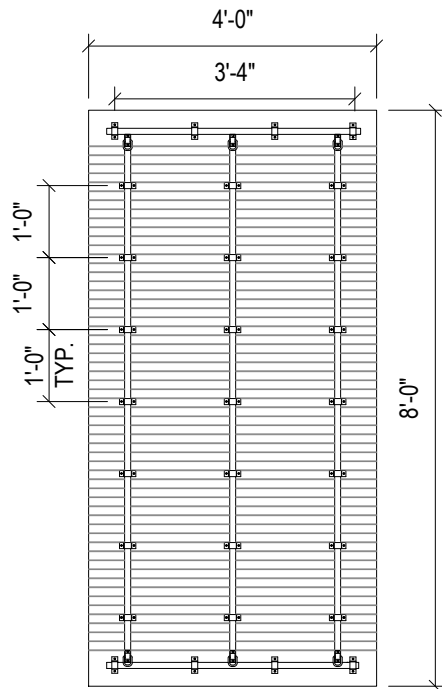
SCALE: AS NOTED

DO NOT SCALE DRAWING. FIGURED DIMENSIONS ARE TO BE FOLLOWED. READ THIS DRAWING IN CONNECTION WITH GENERAL ARCHITECTURAL PLANS, STRUCTURAL PLANS, AND OTHER RELATED DRAWINGS. THESE DRAWINGS REPRESENT ACOUSTIGREEN'S UNDERSTANDING AND INTERPRETATION OF THE ARCHITECTURAL DRAWINGS AND HOW ACOUSTIGREEN PRODUCTS RELATE TO THE PROJECT.



1 36" PLAN VIEW
SCALE: 1/2" = 1'-0"

2 24" PLAN VIEW
SCALE: 1/2" = 1'-0"



3 48" PLAN VIEW
SCALE: 3/4" = 1'-0"



acoustigreen

123 Columbia Court North Chaska, MN 55318 (888) 258 4637

COPYRIGHT ACOUSTIGREEN © 2015

DRAWING NAME:

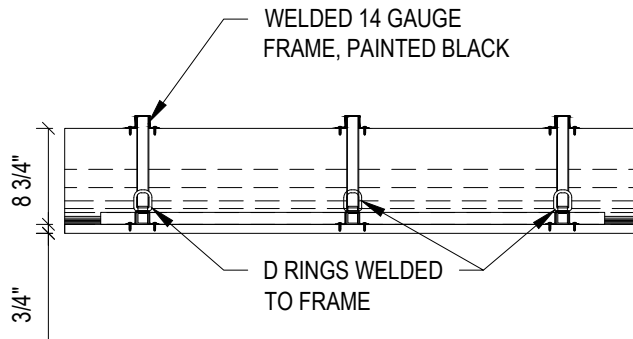
REFLECTOR SYSTEM PLAN VIEWS

DRAFTED BY: BCO

LAST REVISED: 2/08/2016

SCALE: AS NOTED

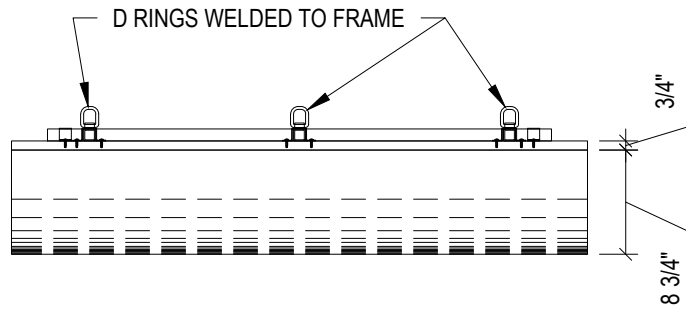
DO NOT SCALE DRAWING. FIGURED DIMENSIONS ARE TO BE FOLLOWED. READ THIS DRAWING IN CONNECTION WITH GENERAL ARCHITECTURAL PLANS, STRUCTURAL PLANS, AND OTHER RELATED DRAWINGS. THESE DRAWINGS REPRESENT ACOUSTIGREEN'S UNDERSTANDING AND INTERPRETATION OF THE ARCHITECTURAL DRAWINGS AND HOW ACOUSTIGREEN PRODUCTS RELATE TO THE PROJECT.



1

48" CONCAVE REFLECTOR END (12' RADIUS)

SCALE: 3/4" = 1'-0"



2

48" CONCAVE REFLECTOR END (12' RADIUS)

SCALE: 3/4" = 1'-0"



acoustigreen

123 Columbia Court North Chaska, MN 55318 (888) 258 4637

COPYRIGHT ACOUSTIGREEN © 2015

DRAWING NAME:

REFLECTOR SYSTEM END VIEWS

DRAFTED BY: BCO

LAST REVISED: 1/11/2016

SCALE: AS NOTED

DO NOT SCALE DRAWING. FIGURED DIMENSIONS ARE TO BE FOLLOWED. READ THIS DRAWING IN CONNECTION WITH GENERAL ARCHITECTURAL PLANS, STRUCTURAL PLANS, AND OTHER RELATED DRAWINGS. THESE DRAWINGS REPRESENT ACOUSTIGREEN'S UNDERSTANDING AND INTERPRETATION OF THE ARCHITECTURAL DRAWINGS AND HOW ACOUSTIGREEN PRODUCTS RELATE TO THE PROJECT.