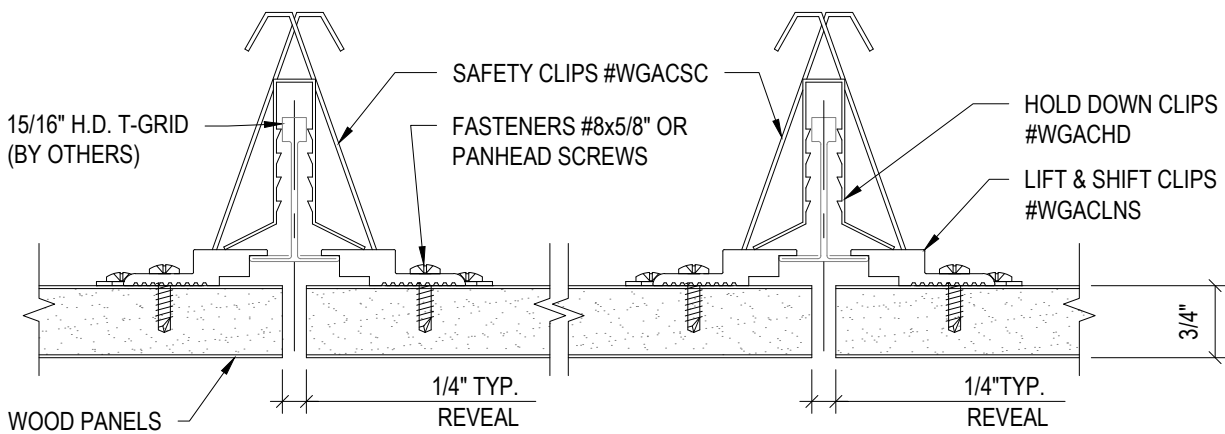
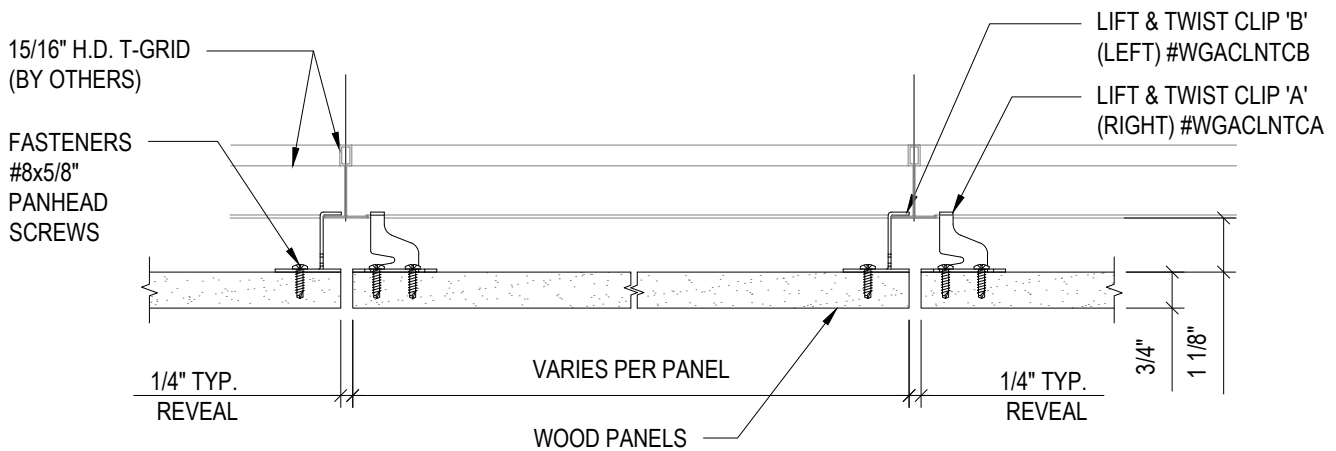


1 LAY-IN MOUNTING
SCALE: 6" = 1'-0"

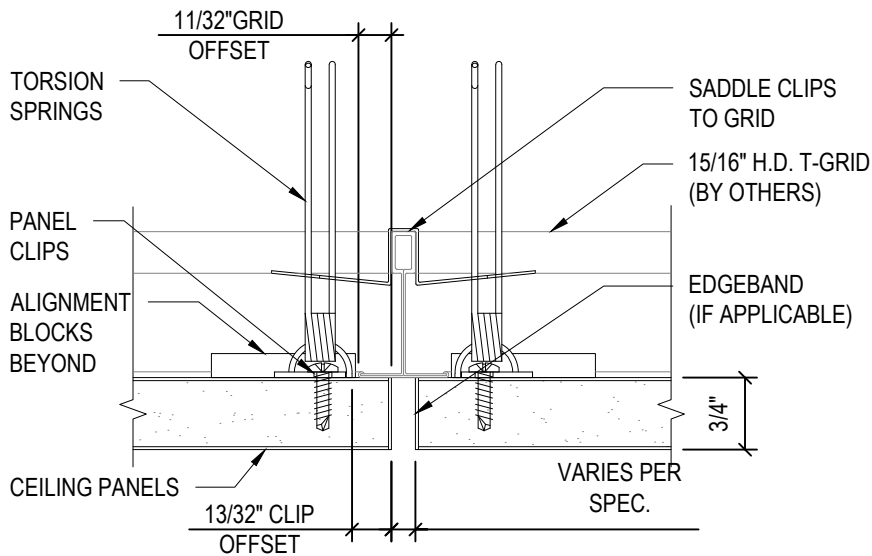
2 TEGULAR EDGE MOUNTING
SCALE: 6" = 1'-0"



3 LIFT & SHIFT MOUNTING
SCALE: 6" = 1'-0"

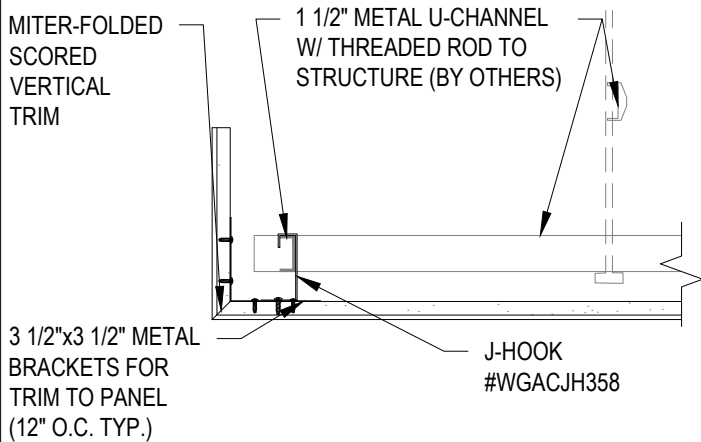


4 LIFT & TWIST MOUNTING
SCALE: 3" = 1'-0"



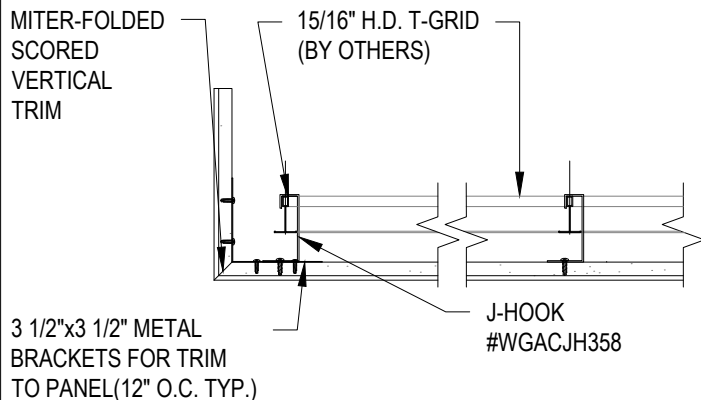
1 TORSION SPRING MOUNTING

SCALE: 6" = 1'-0"



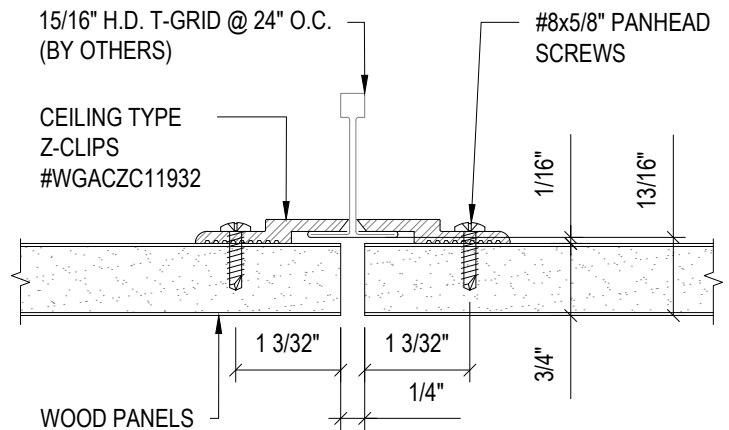
2 J-HOOK MOUNTING

SCALE: 1 1/2" = 1'-0"



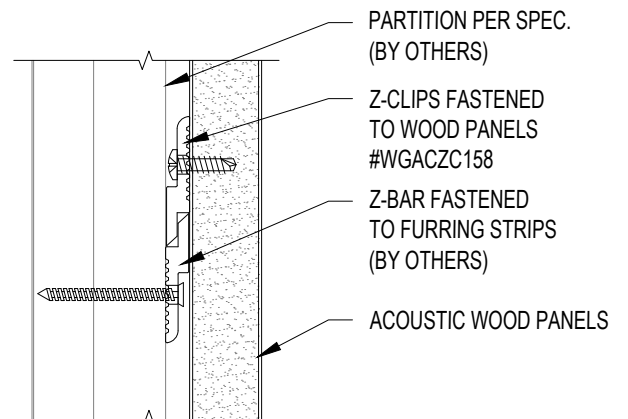
4 J-HOOK MOUNTING TO T-GRID

SCALE: 1 1/2" = 1'-0"



3 Z-CLIP MOUNTING

SCALE: 6" = 1'-0"



5 Z-CLIP MOUNTING - DRYWALL

SCALE: 6" = 1'-0"



acoustigreen

123 Columbia Court North Chaska, MN 55318 (888) 258 4637

COPYRIGHT ACOUSTIGREEN © 2015

DRAWING NAME:
ACOUSTIGREEN MOUNTING OPTIONS

DRAFTED BY: BCO

LAST REVISED: 6/21/16

SCALE: AS NOTED

DO NOT SCALE DRAWING. FIGURED DIMENSIONS ARE TO BE FOLLOWED. READ THIS DRAWING IN CONNECTION WITH GENERAL ARCHITECTURAL PLANS, STRUCTURAL PLANS, AND OTHER RELATED DRAWINGS. THESE DRAWINGS REPRESENT ACOUSTIGREEN'S UNDERSTANDING AND INTERPRETATION OF THE ARCHITECTURAL DRAWINGS AND HOW ACOUSTIGREEN PRODUCTS RELATE TO THE PROJECT.