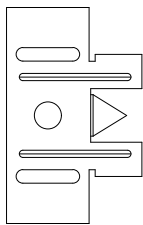


1

LINEAR SECTION DETAIL

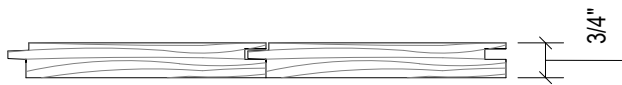
SCALE: 6" = 1'-0"



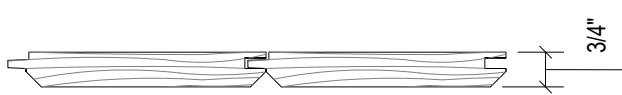
PLAN VIEW



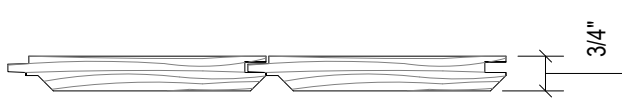
SECTION VIEW



BUTT JOINT



V-GROOVE JOINT



FLAT V-GROOVE JOINT

2

LINEAR CLIP

SCALE: 3" = 1'-0"

3

LINEAR TONGUE & GROOVE JOINT OPTIONS

SCALE: 3" = 1'-0"



acoustigreen

123 Columbia Court North Chaska, MN 55318 (888) 258 4637

COPYRIGHT ACOUSTIGREEN © 2015

DRAWING NAME:

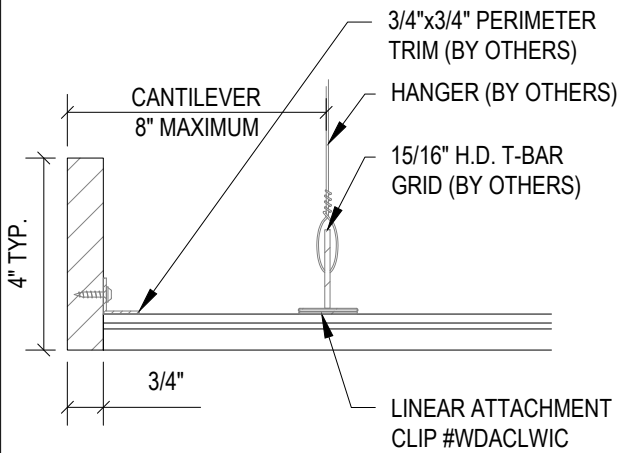
LINEAR T&G SYSTEM SECTION DETAIL & JOINT OPTIONS

DRAFTED BY: YPN

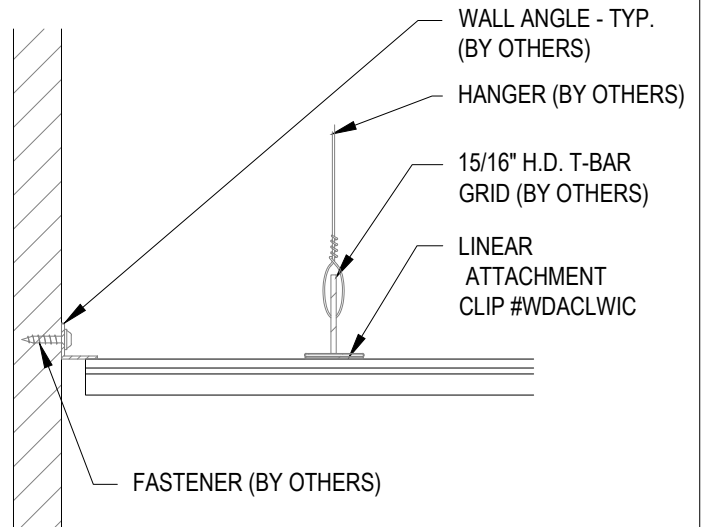
LAST REVISED: 01/08/2016

SCALE: AS NOTED

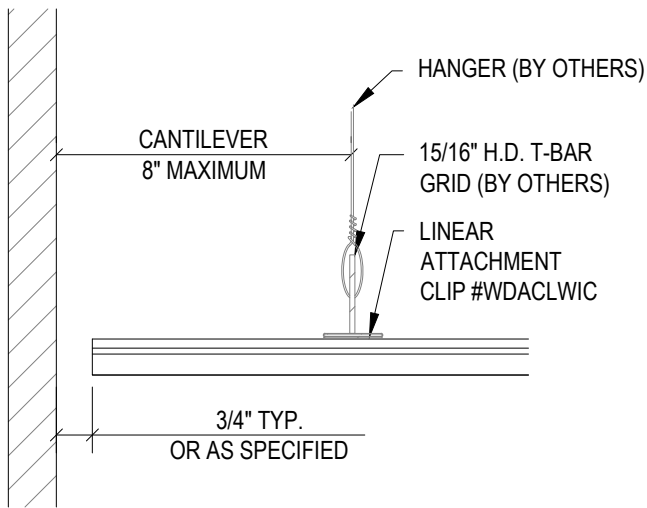
DO NOT SCALE DRAWING. FIGURED DIMENSIONS ARE TO BE FOLLOWED. READ THIS DRAWING IN CONNECTION WITH GENERAL ARCHITECTURAL PLANS, STRUCTURAL PLANS, AND OTHER RELATED DRAWINGS. THESE DRAWINGS REPRESENT ACOUSTIGREEN'S UNDERSTANDING AND INTERPRETATION OF THE ARCHITECTURAL DRAWINGS AND HOW ACOUSTIGREEN PRODUCTS RELATE TO THE PROJECT.



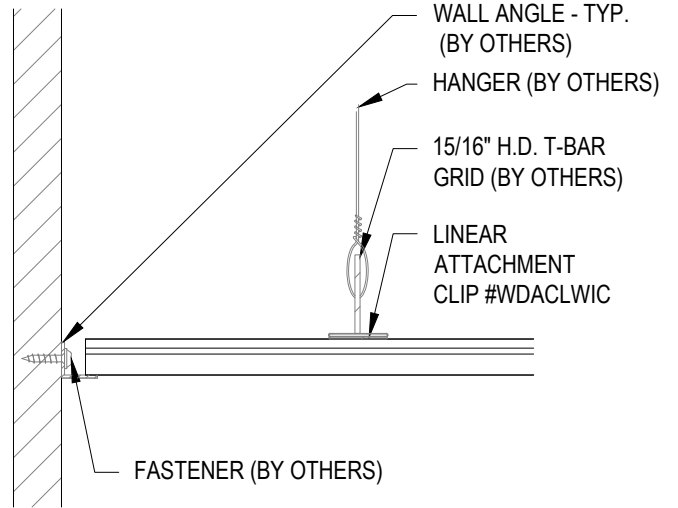
1 CLOUD W/VERTICAL RETURN
SCALE: 3" = 1'-0"



2 WALL ANGLE ABOVE
SCALE: 3" = 1'-0"



3 FLOATING
SCALE: 3" = 1'-0"



4 WALL ANGLE BELOW
SCALE: 3" = 1'-0"



acoustigreen

123 Columbia Court North Chaska, MN 55318 (888) 258 4637

COPYRIGHT ACOUSTIGREEN © 2015

DRAWING NAME:

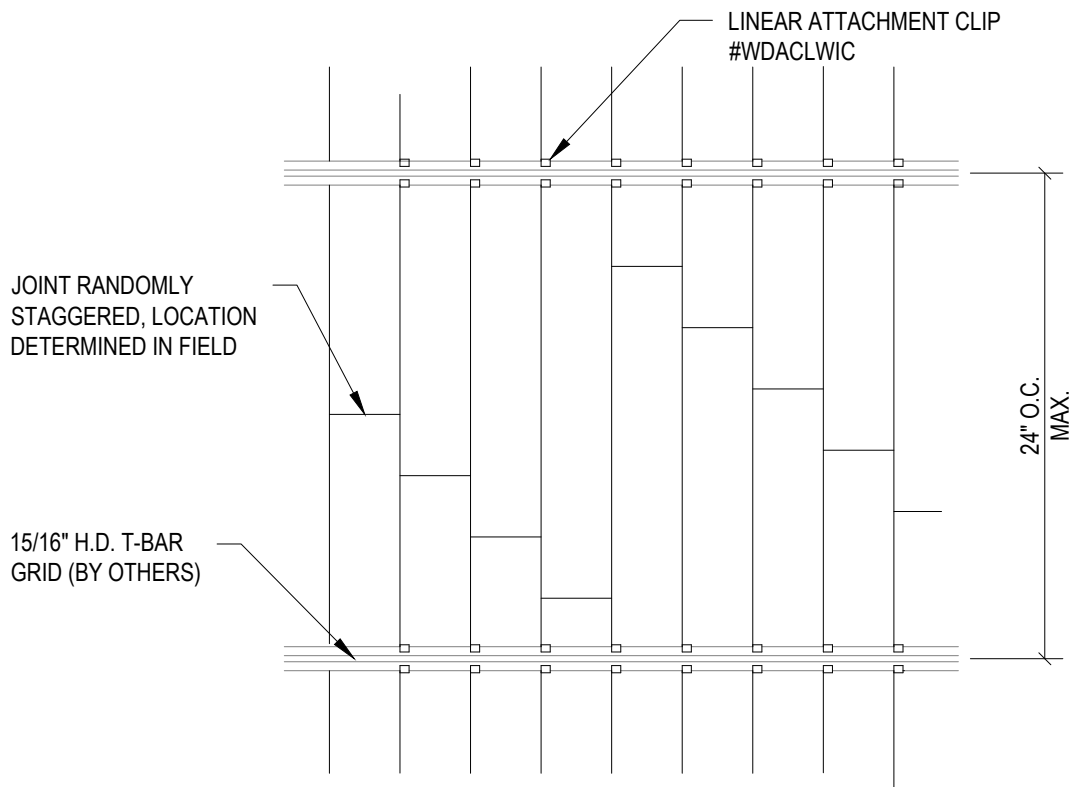
LINEAR T&G SYSTEM CONSTRUCTION DETAILS

DRAFTED BY: YPN

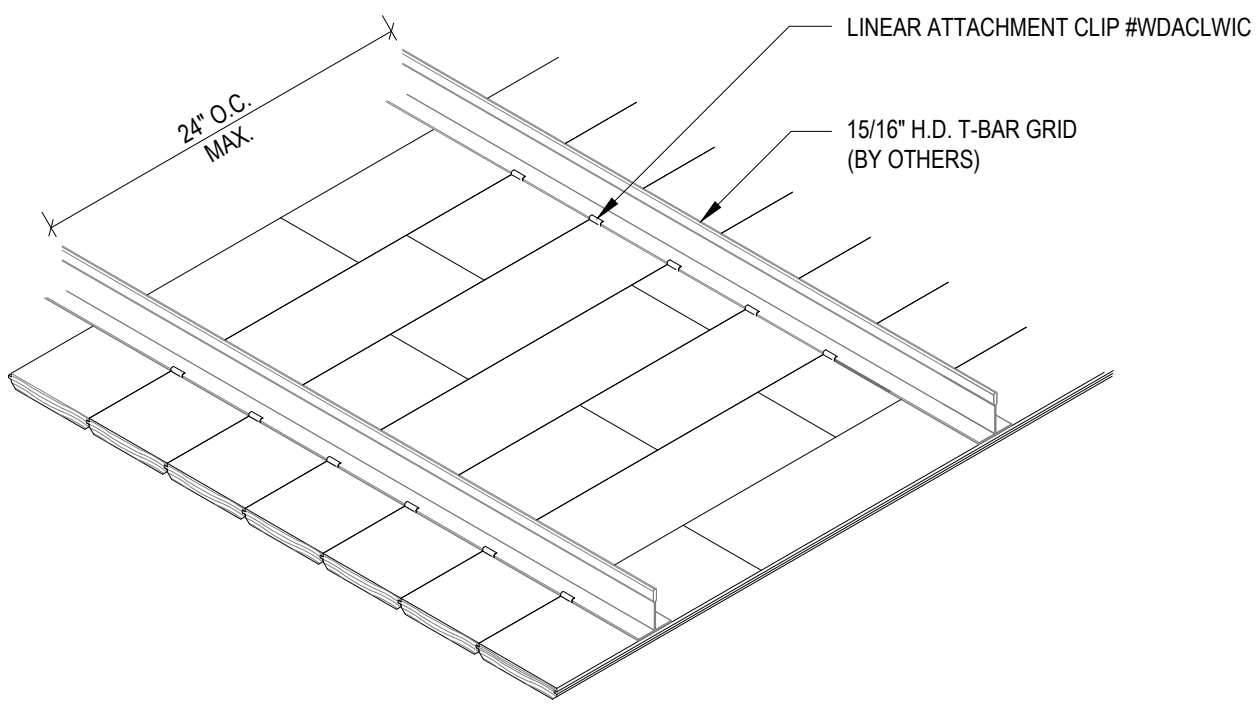
LAST REVISED: 01/08/2016

SCALE: AS NOTED

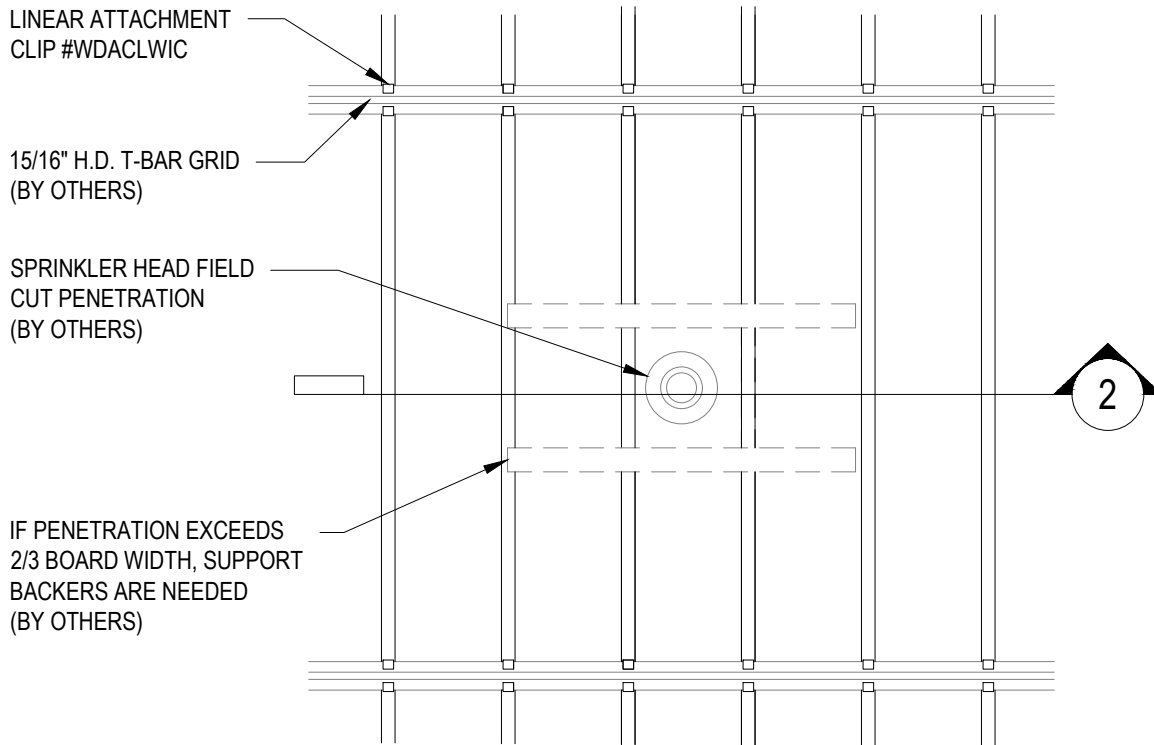
DO NOT SCALE DRAWING. FIGURED DIMENSIONS ARE TO BE FOLLOWED. READ THIS DRAWING IN CONNECTION WITH GENERAL ARCHITECTURAL PLANS, STRUCTURAL PLANS, AND OTHER RELATED DRAWINGS. THESE DRAWINGS REPRESENT ACOUSTIGREEN'S UNDERSTANDING AND INTERPRETATION OF THE ARCHITECTURAL DRAWINGS AND HOW ACOUSTIGREEN PRODUCTS RELATE TO THE PROJECT.



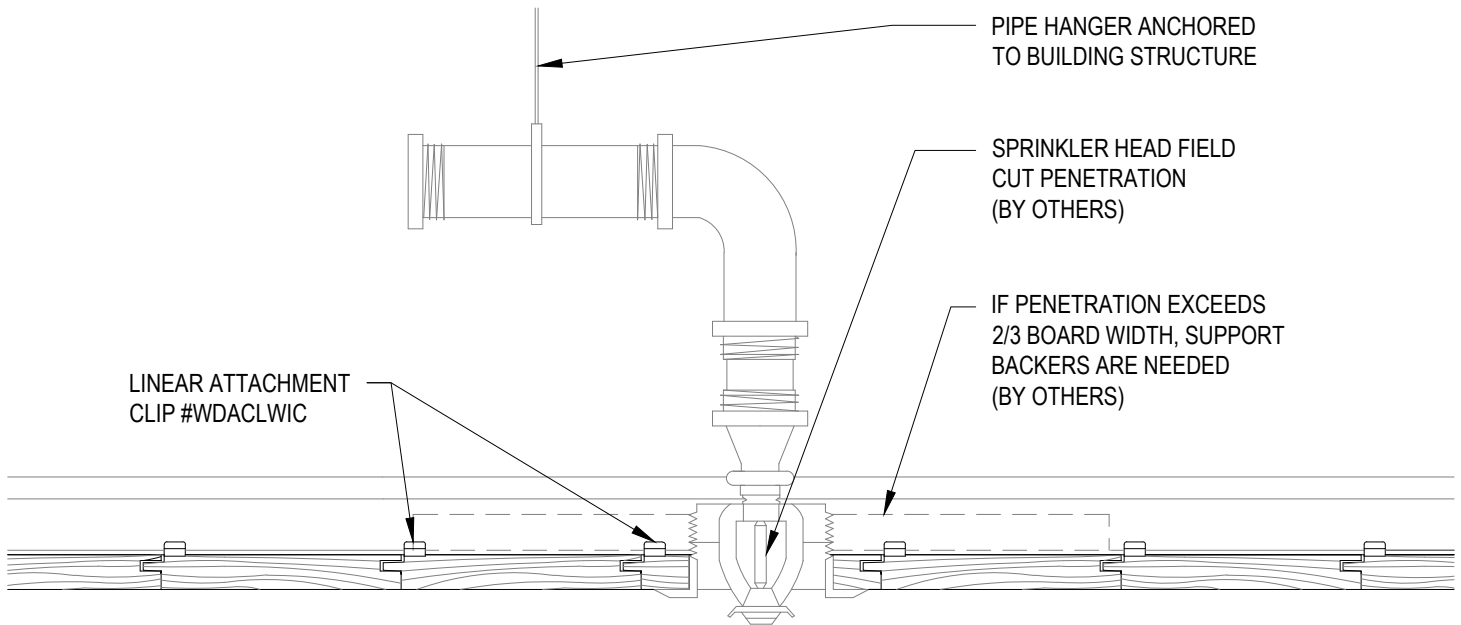
1 PLAN VIEW - TYP.
SCALE: 3" = 1'-0"



2 ISOMETRIC VIEW - TYP.
SCALE: 3" = 1'-0"



1 SPRINKLER HEAD - PLAN VIEW
SCALE: 1 1/2" = 1'-0"



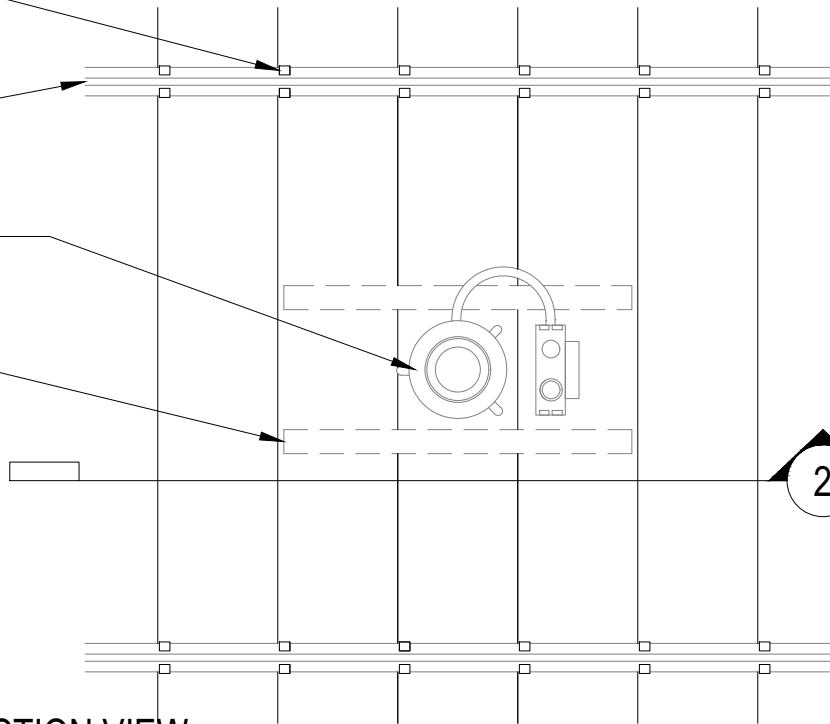
2 SPRINKLER HEAD - SECTION VIEW
SCALE: 3" = 1'-0"

LINEAR ATTACHMENT
CLIP #WDAACLWIC

INDEPENDENTLY SUPPORTED
15/16" H.D. T-BAR
GRID (BY OTHERS)

RECESSED LIGHT FIXTURE
FIELD CUT PENETRATION
(BY OTHERS)

IF PENETRATION EXCEEDS
2/3 BOARD WIDTH, SUPPORT
BACKERS ARE NEEDED
(BY OTHERS)



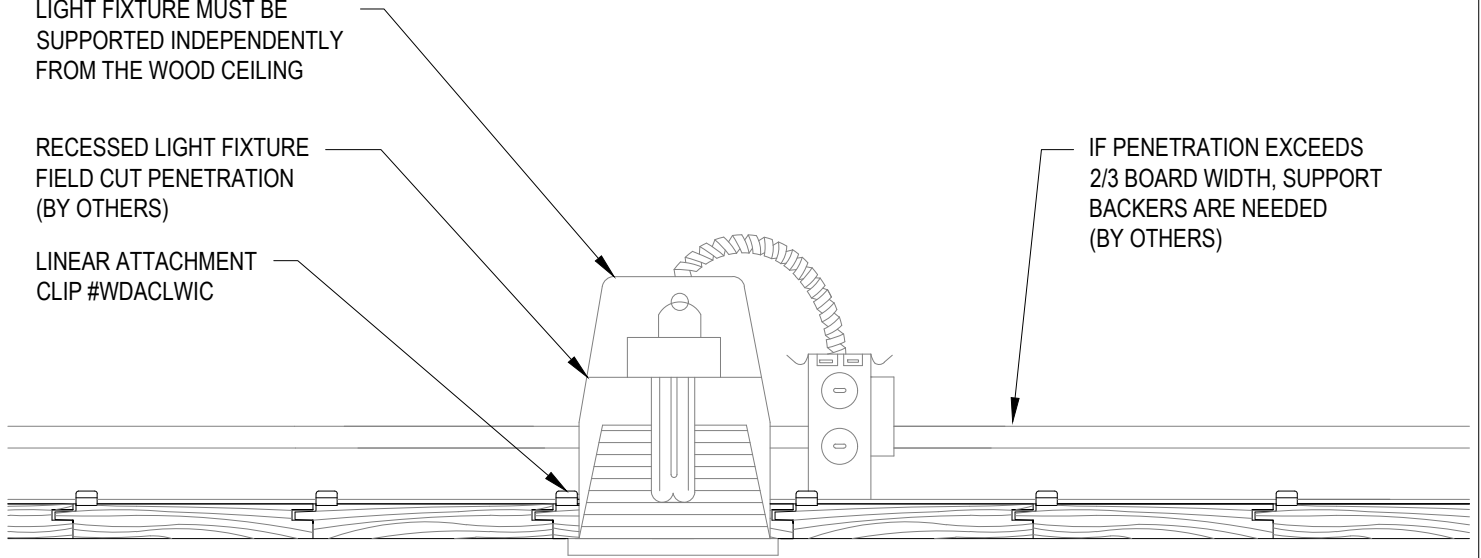
1 RECESSED LIGHT - SECTION VIEW
SCALE: 1 1/2" = 1'-0"

LIGHT FIXTURE MUST BE
SUPPORTED INDEPENDENTLY
FROM THE WOOD CEILING

RECESSED LIGHT FIXTURE
FIELD CUT PENETRATION
(BY OTHERS)

LINEAR ATTACHMENT
CLIP #WDAACLWIC

IF PENETRATION EXCEEDS
2/3 BOARD WIDTH, SUPPORT
BACKERS ARE NEEDED
(BY OTHERS)



2 RECESSED LIGHT - SECTION VIEW
SCALE: 3" = 1'-0"



acoustigreen

123 Columbia Court North Chaska, MN 55318 (888) 258 4637

COPYRIGHT ACOUSTIGREEN © 2015

DRAWING NAME:

LINEAR T&G SYSTEM RECESSED LIGHT DETAIL

DRAFTED BY: YPN

LAST REVISED: 01/08/2016

SCALE: AS NOTED

DO NOT SCALE DRAWING. FIGURED DIMENSIONS ARE TO BE FOLLOWED. READ THIS DRAWING IN CONNECTION WITH GENERAL ARCHITECTURAL PLANS, STRUCTURAL PLANS, AND OTHER RELATED DRAWINGS. THESE DRAWINGS REPRESENT ACOUSTIGREEN'S UNDERSTANDING AND INTERPRETATION OF THE ARCHITECTURAL DRAWINGS AND HOW ACOUSTIGREEN PRODUCTS RELATE TO THE PROJECT.