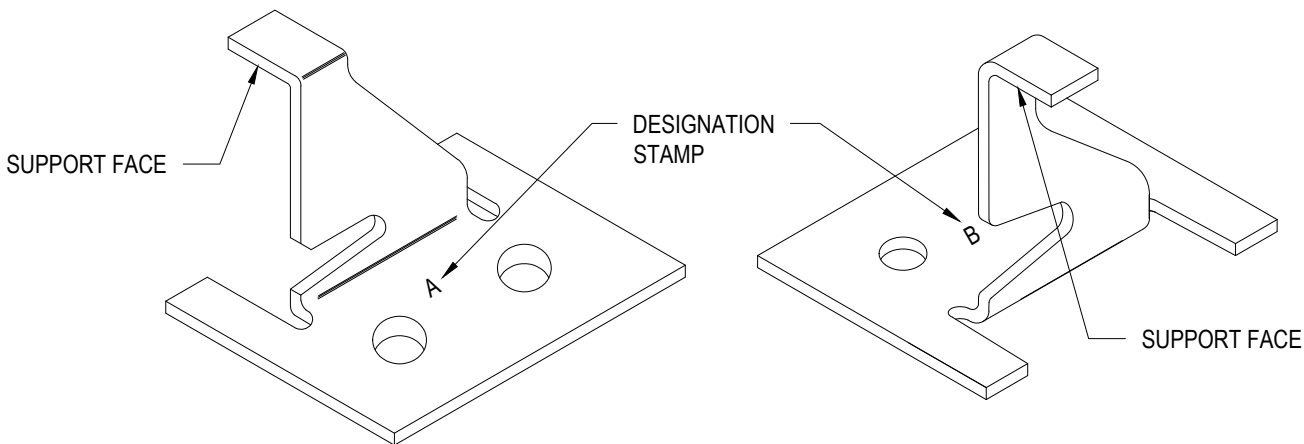


1 LIFT & TWIST SECTION

SCALE: 3" = 1'-0"

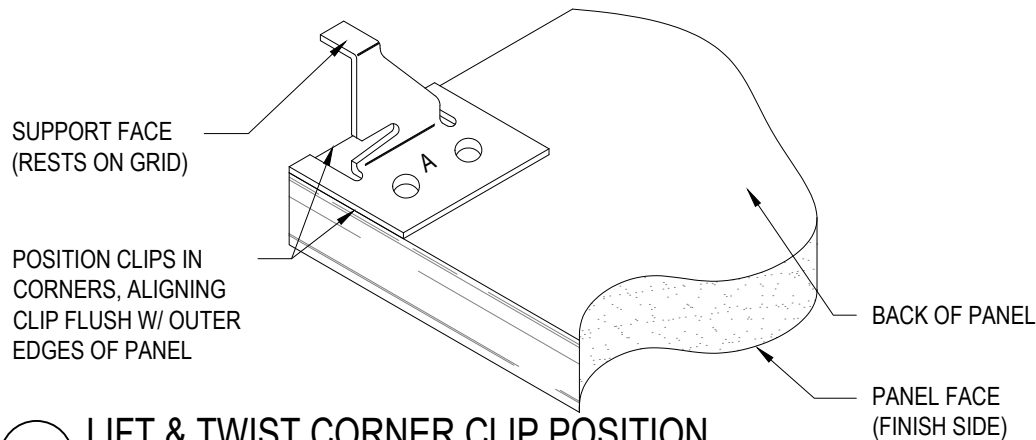


2 LIFT & TWIST CLIP A

SCALE: FULL

3 LIFT & TWIST CLIP B

SCALE: FULL



4 LIFT & TWIST CORNER CLIP POSITION

SCALE: 6" = 1'-0"

NOTES:

ALL CLIPS AND PANEL SCREWS PROVIDED BY ACOUSTIGREEN AND INSTALLED BY OTHERS.

PANELS FOR 9/16" T-GRID NOT AVAILABLE.



acoustigreen

123 Columbia Court North Chaska, MN 55318 (888) 258 4637

COPYRIGHT ACOUSTIGREEN © 2015

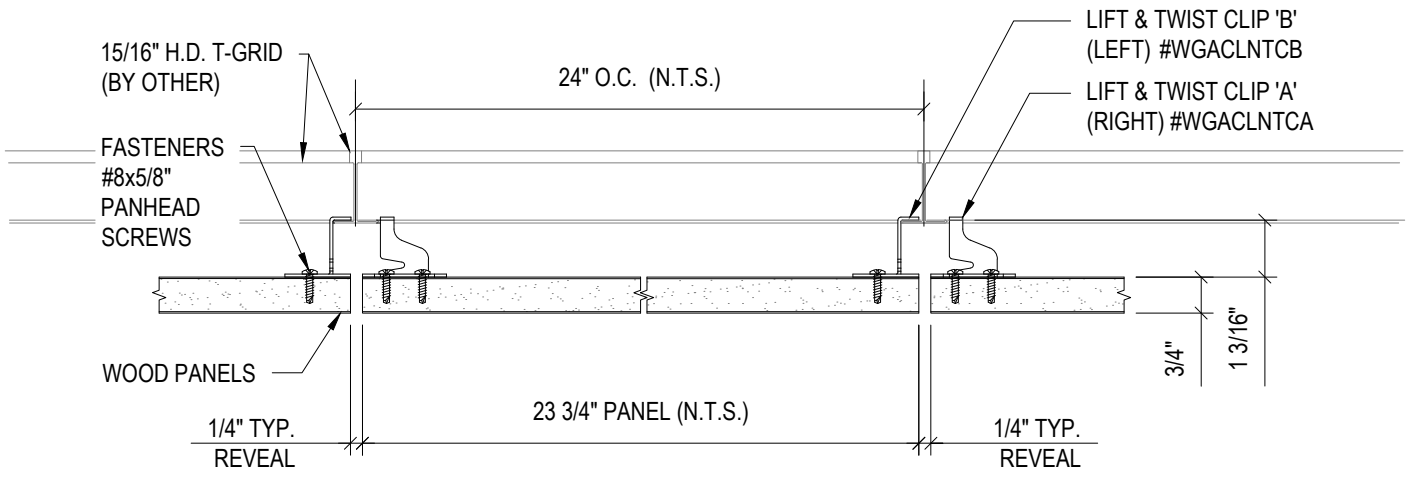
DRAWING NAME:
LIFT & TWIST CEILING PANEL SYSTEM

DRAFTED BY: YN

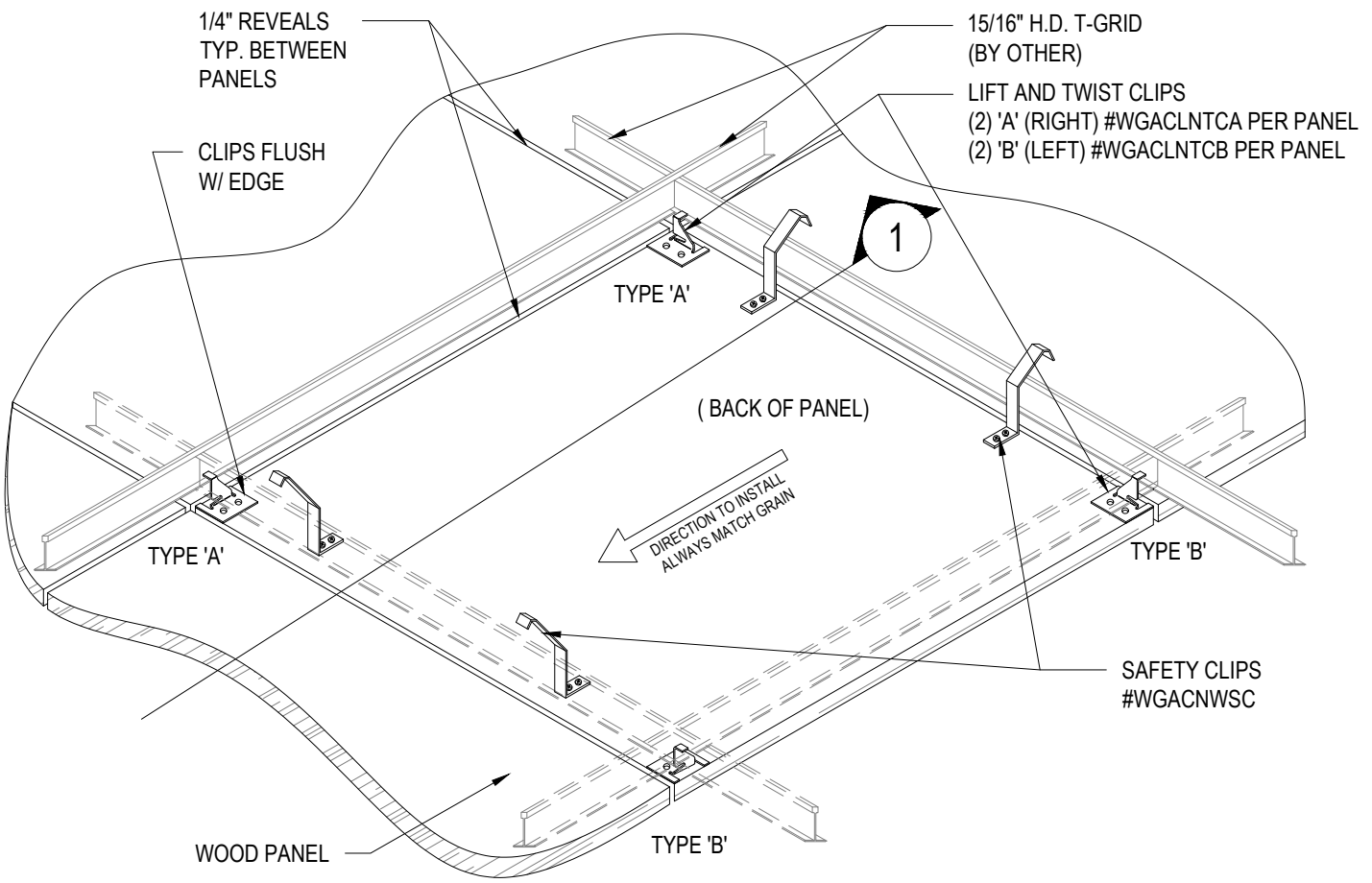
LAST REVISED: 12/2/15

SCALE: AS NOTED

DO NOT SCALE DRAWING. FIGURED DIMENSIONS ARE TO BE FOLLOWED. READ THIS DRAWING IN CONNECTION WITH GENERAL ARCHITECTURAL PLANS, STRUCTURAL PLANS, AND OTHER RELATED DRAWINGS. THESE DRAWINGS REPRESENT ACOUSTIGREEN'S UNDERSTANDING AND INTERPRETATION OF THE ARCHITECTURAL DRAWINGS AND HOW ACOUSTIGREEN PRODUCTS RELATE TO THE PROJECT.

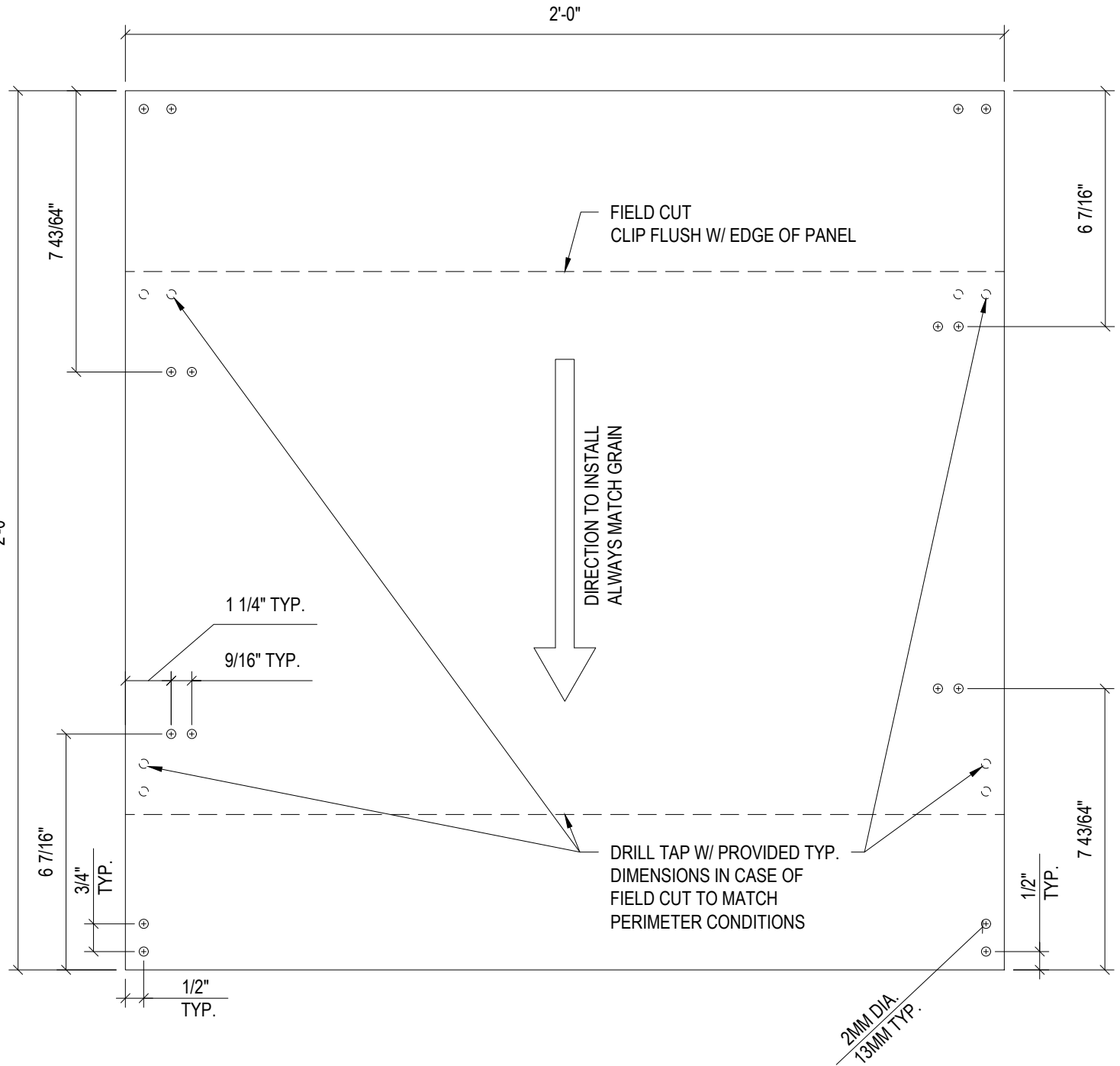


1 2' PANEL SELECTION
SCALE: 3" = 1'-0"

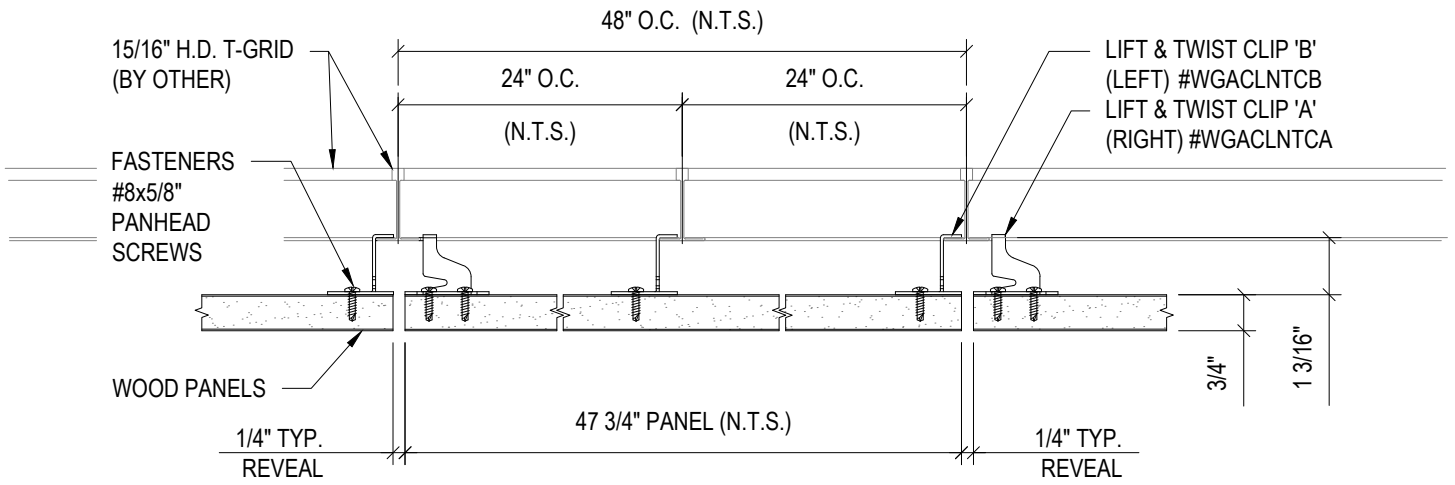


2 INSTALLED 2X2 PANEL
SCALE: 1 1/2" = 1'-0"

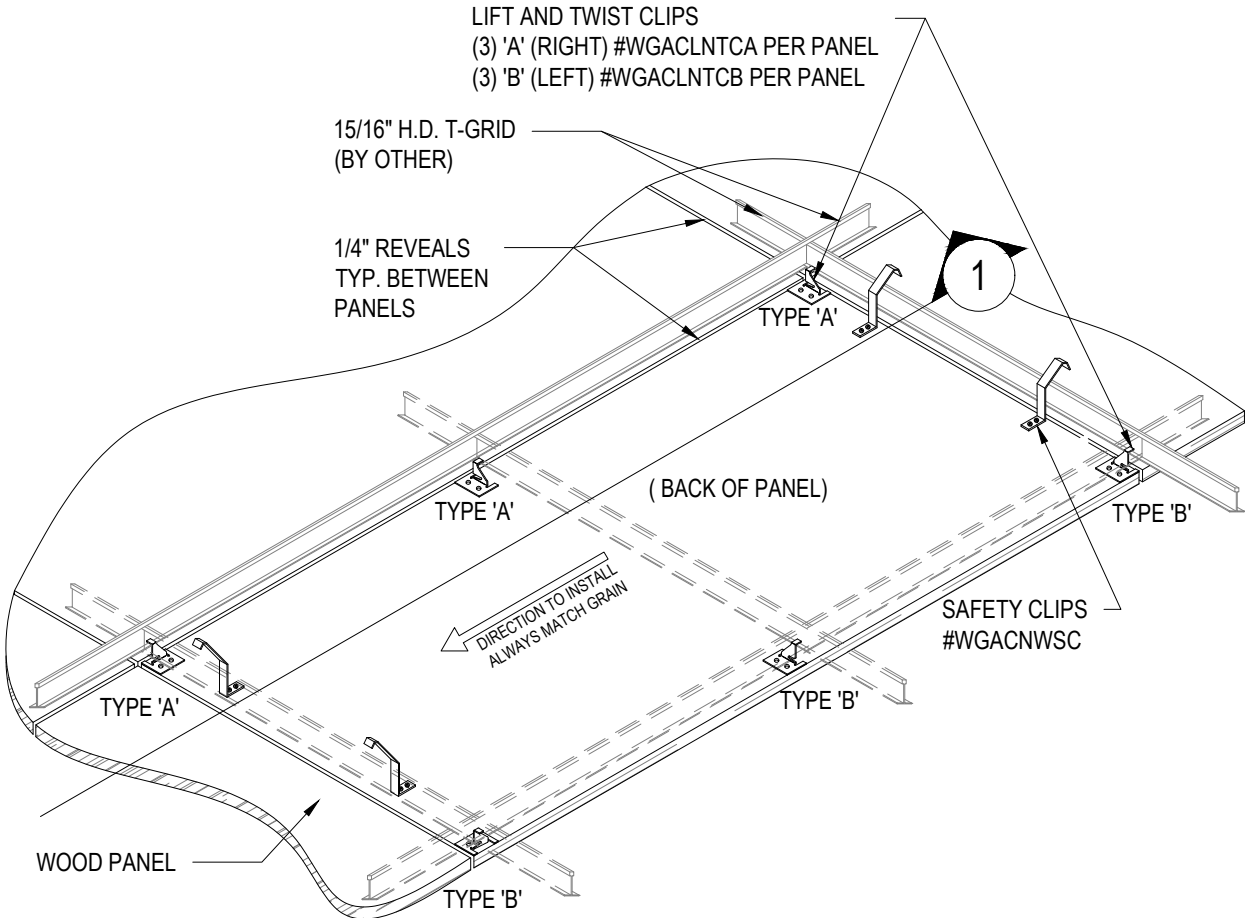
NOTE:
 ANY PANEL WITH CORE PERFORATIONS USING LIFE & TWIST HARDWARE WILL REQUIRE FIELD APPLIED
 PANEL STIFFENERS. STIFFENER LOCATIONS WILL BE SHOWN ON JOB SPECIFIC SHOP DRAWINGS.



1 **TAP PLACEMENT - BACK OF 2X2 PANEL**
 SCALE: 3" = 1'-0"

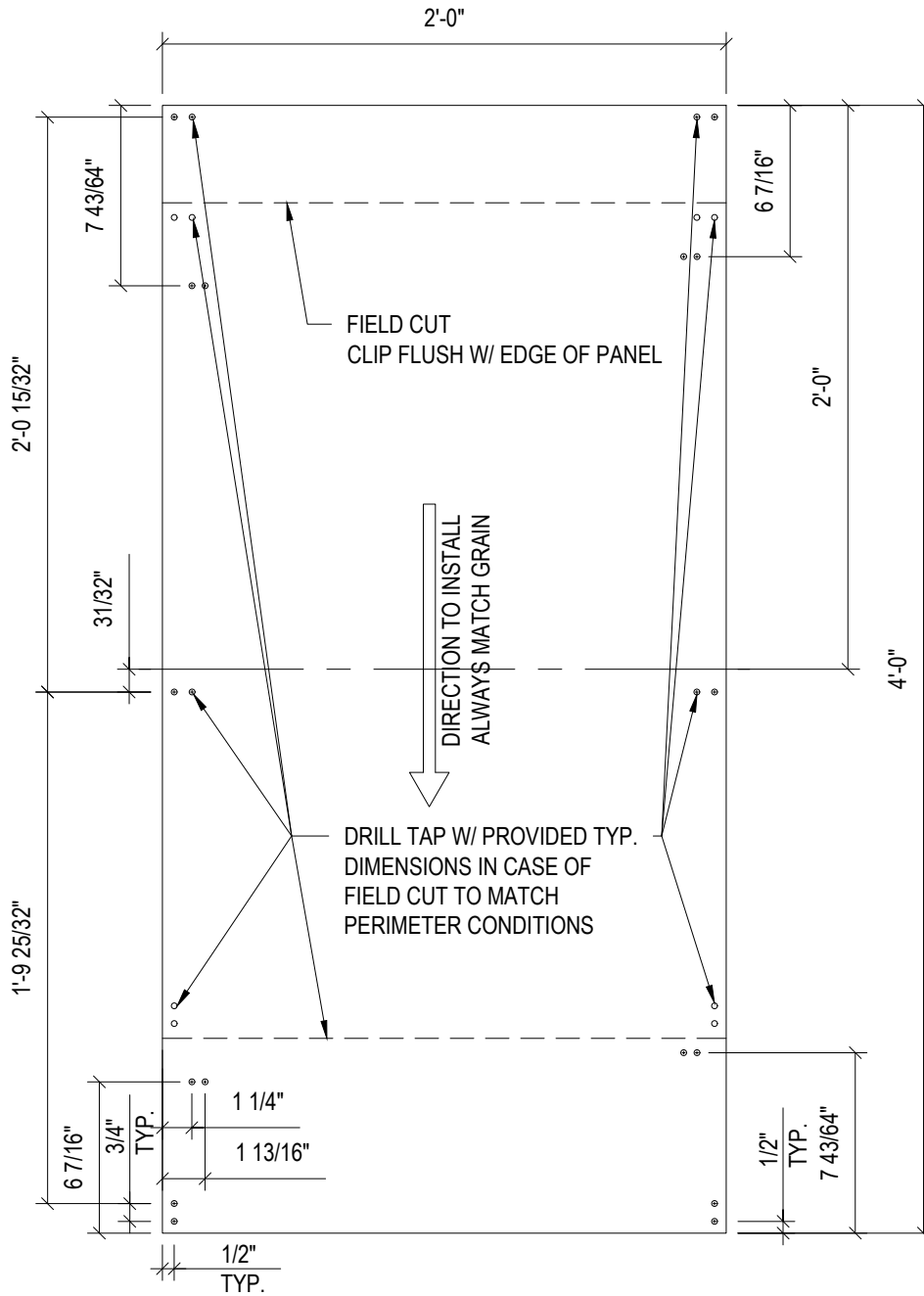


1 4' PANEL SECTION
SCALE: 3" = 1'-0"

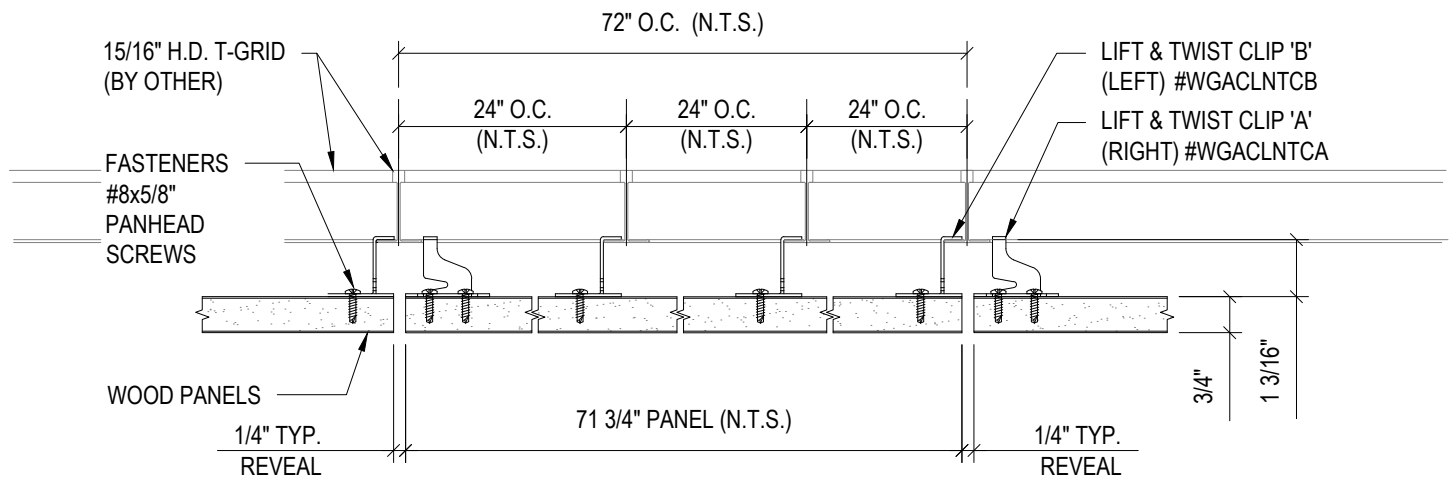


2 INSTALLED 2X4 PANEL
SCALE: 1" = 1'-0"

NOTE:
 ANY PANEL WITH CORE PERFORATIONS USING LIFE & TWIST HARDWARE WILL REQUIRE FIELD APPLIED
 PANEL STIFFENERS. STIFFENER LOCATIONS WILL BE SHOWN ON JOB SPECIFIC SHOP DRAWINGS.

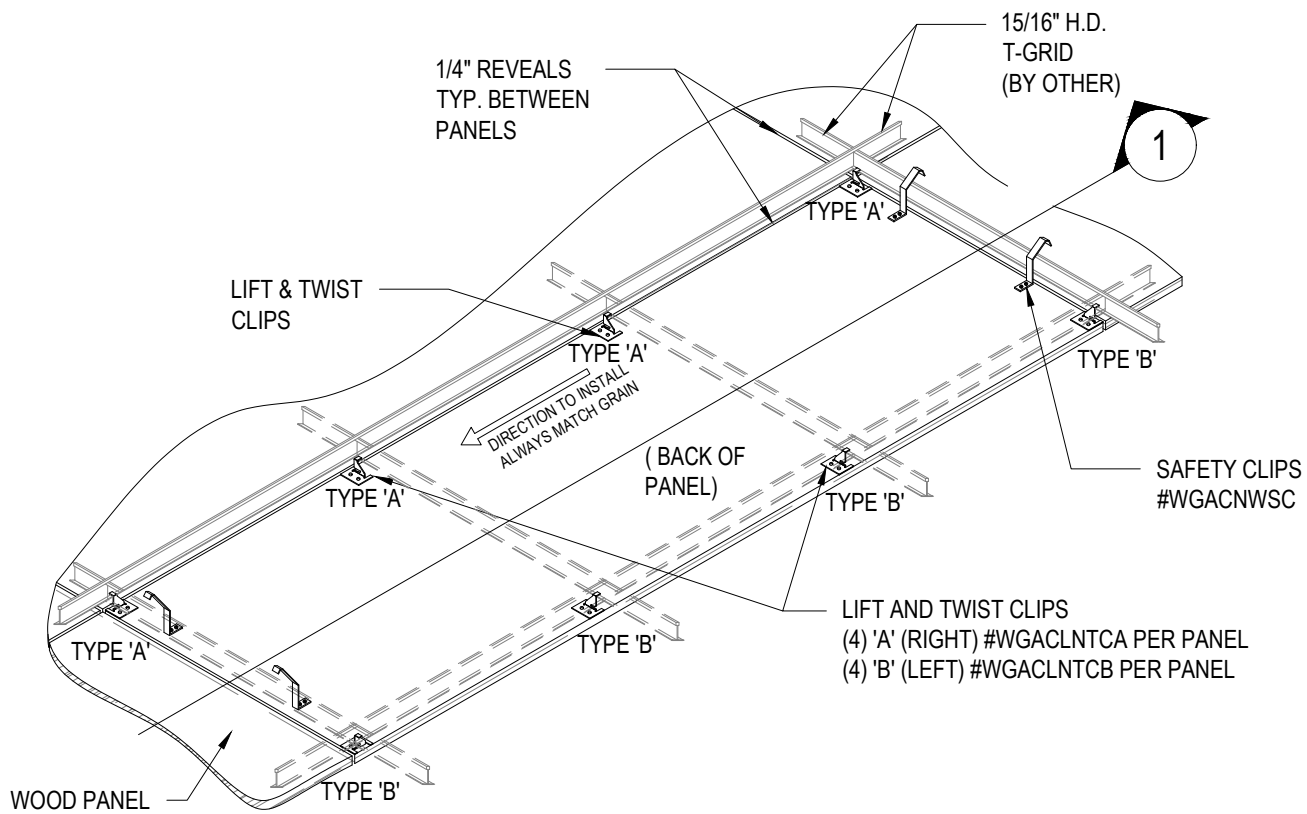


1 TAP REPLACEMENT - BACK OF 2X4 PANEL
 SCALE: 1 1/2" = 1'-0"



1 6' PANEL SECTION
SCALE: 3" = 1'-0"

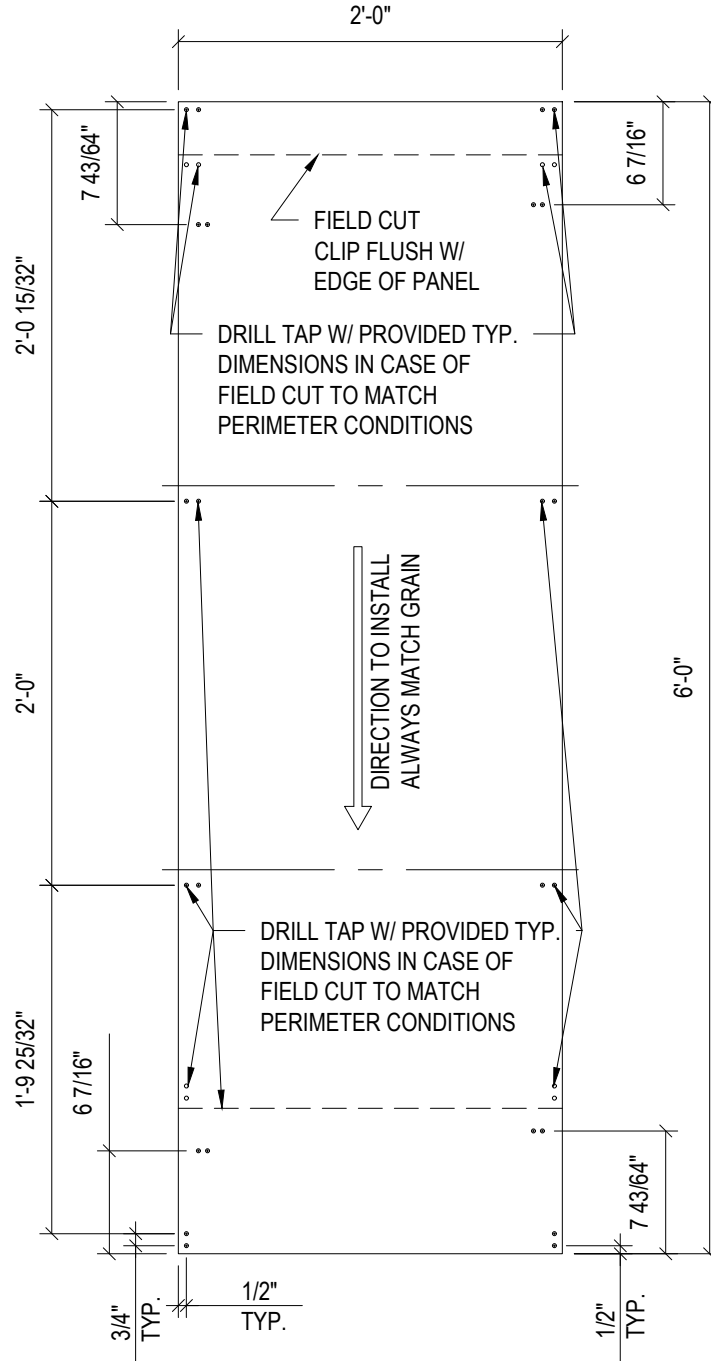
SCALE: 3" = 1'-0"



2 INSTALLED 2X6 PANEL
SCALE: 3/4" = 1'-0"

SCALE: 3/4" = 1'-0"

NOTE:
 ANY PANEL WITH CORE PERFORATIONS USING LIFE & TWIST HARDWARE WILL REQUIRE FIELD APPLIED
 PANEL STIFFENERS. STIFFENER LOCATIONS WILL BE SHOWN ON JOB SPECIFIC SHOP DRAWINGS.



1 TAP PLACEMENT - BACK OF 2X6 PANEL
 SCALE: 1" = 1'-0"



acoustigreen

123 Columbia Court North Chaska, MN 55318 (888) 258 4637

COPYRIGHT ACOUSTIGREEN © 2015

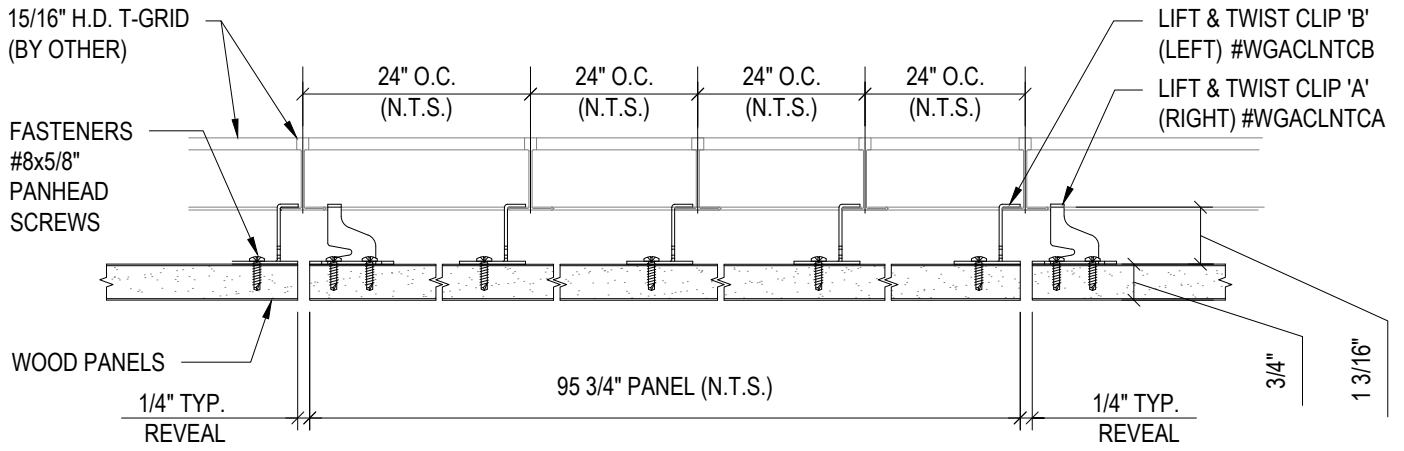
DRAWING NAME:
 LIFT & TWIST 2X6 PANEL TAP

DRAFTED BY: YN

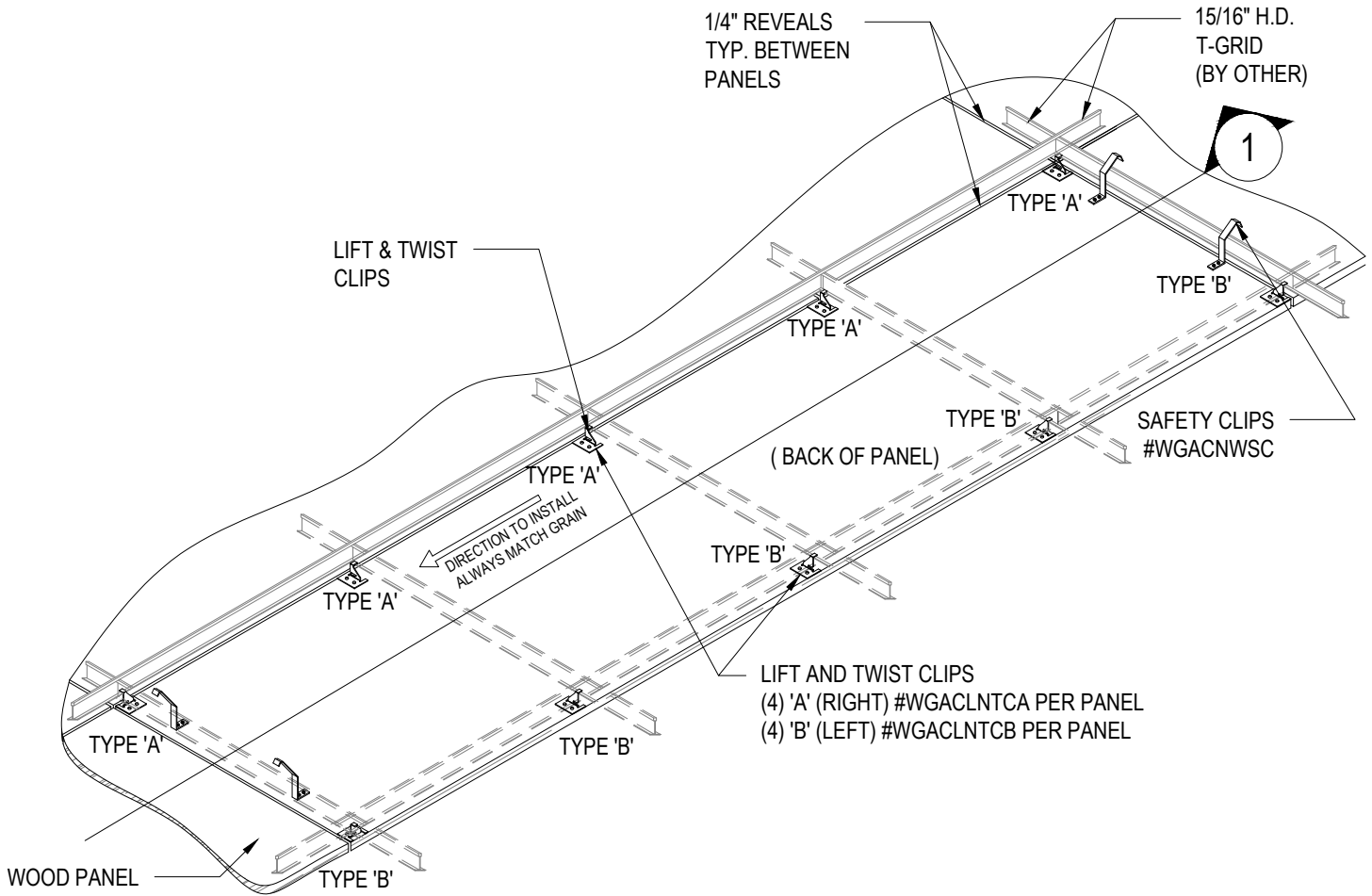
LAST REVISED: 6/01/16

SCALE: AS NOTED

DO NOT SCALE DRAWING. FIGURED DIMENSIONS ARE TO BE FOLLOWED. READ THIS DRAWING IN CONNECTION WITH GENERAL ARCHITECTURAL PLANS, STRUCTURAL PLANS, AND OTHER RELATED DRAWINGS. THESE DRAWINGS REPRESENT ACOUSTIGREEN'S UNDERSTANDING AND INTERPRETATION OF THE ARCHITECTURAL DRAWINGS AND HOW ACOUSTIGREEN PRODUCTS RELATE TO THE PROJECT.

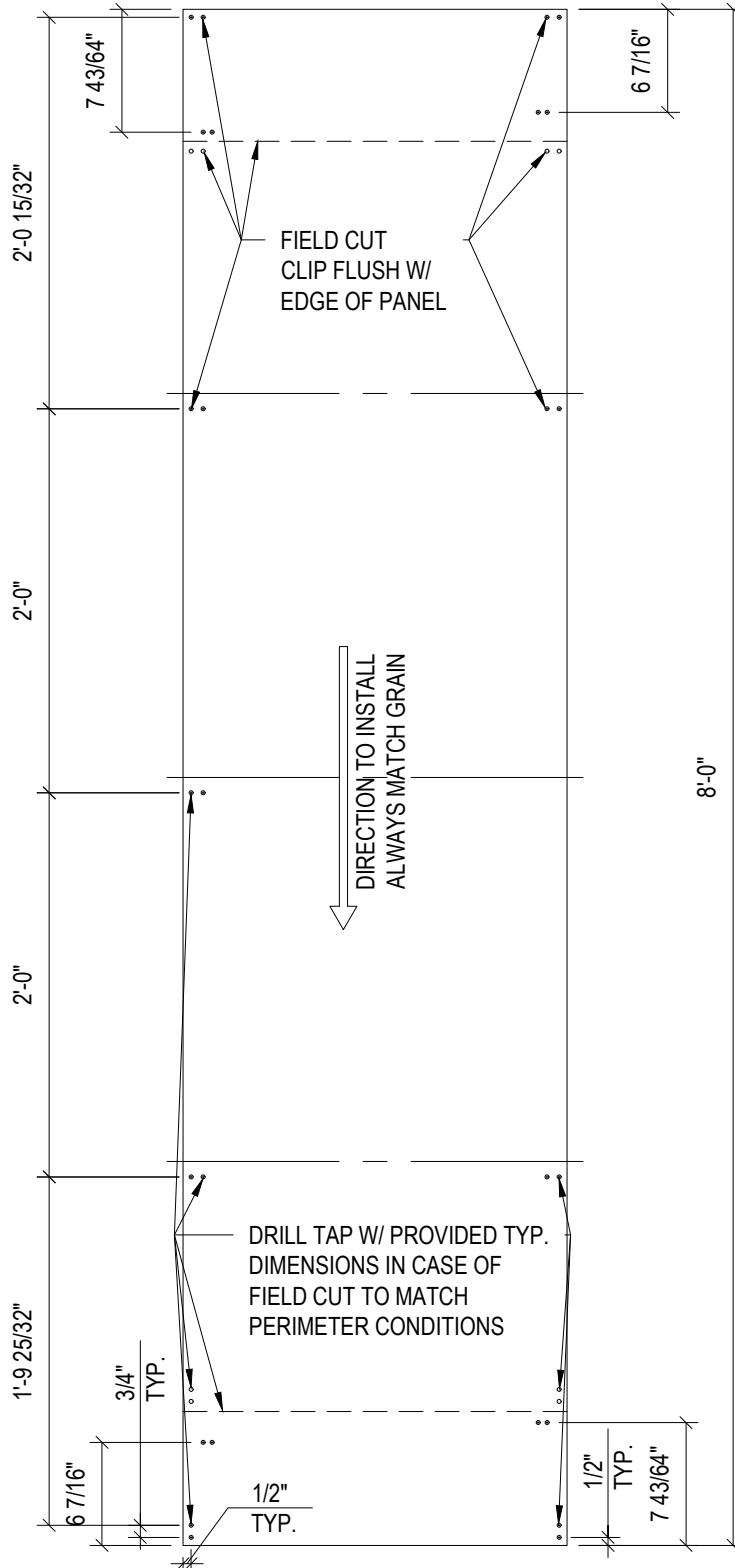


1 8' PANEL SECTION
SCALE: 3" = 1'-0"



2 INSTALLED 2X8 PANEL
SCALE: 1" = 1'-0"

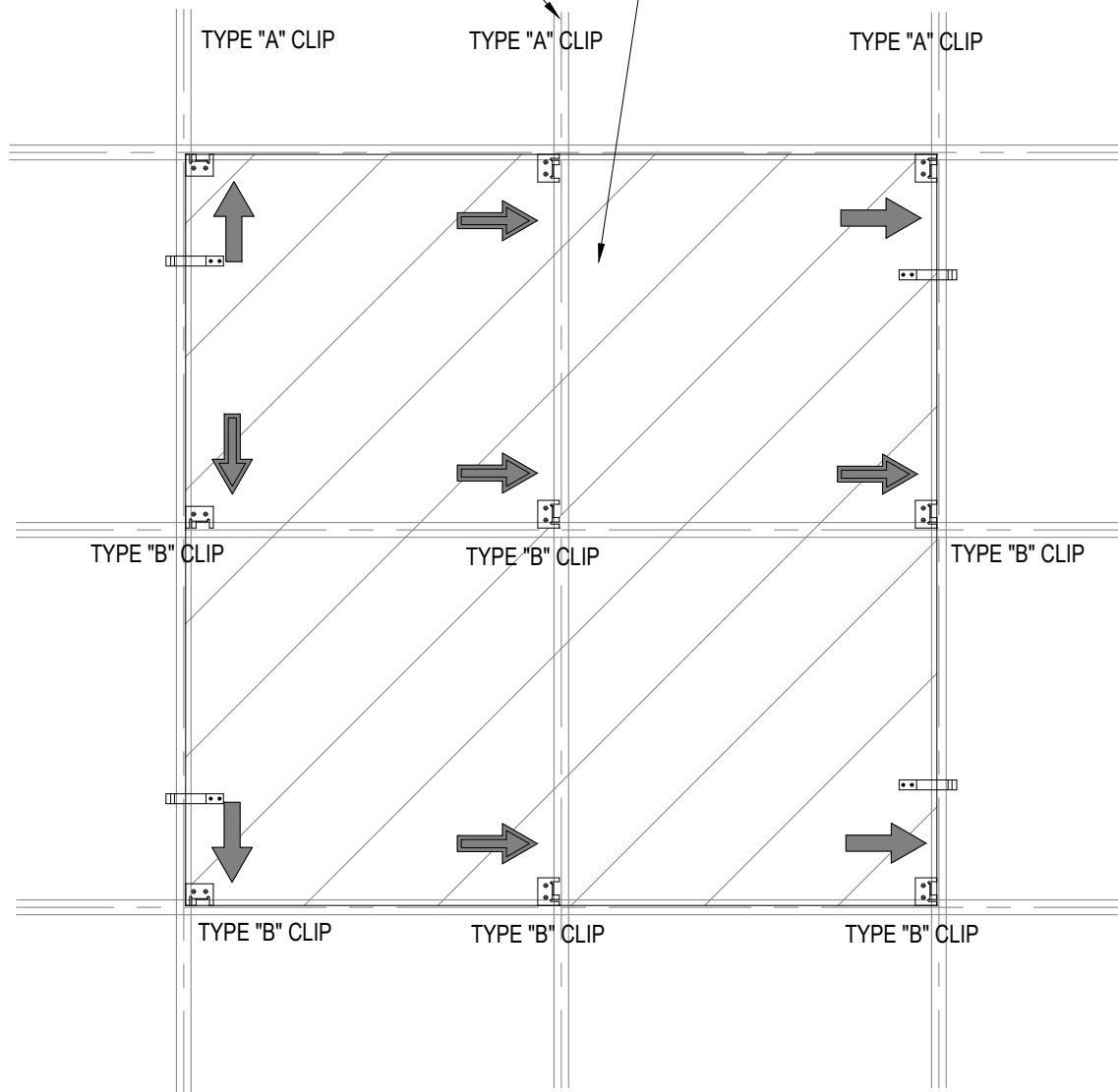
NOTE:
 ANY PANEL WITH CORE PERFORATIONS USING LIFE & TWIST HARDWARE WILL REQUIRE FIELD APPLIED
 PANEL STIFFENERS. STIFFENER LOCATIONS WILL BE SHOWN ON JOB SPECIFIC SHOP DRAWINGS.



1 TAP PLACEMENT - BACK OF 2X8 PANEL
 SCALE: 1" = 1'-0"

2'x2' 15/16" H.D. GRID SYSTEM (BY OTHER)

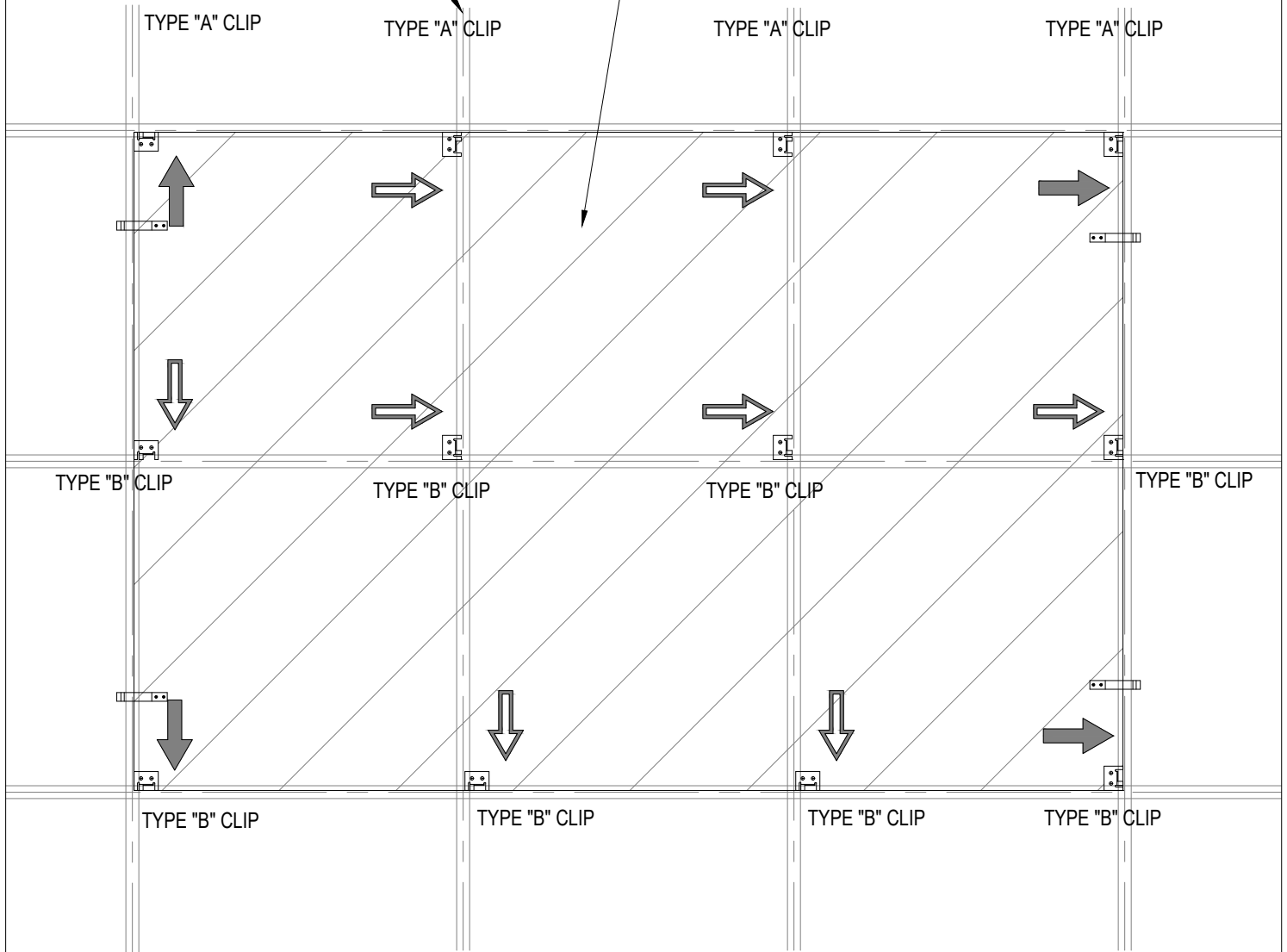
48"x48" PANEL HAS (9) LOAD POINTS, STARTING WITH THE (4) CORNER CLIPS ATTACHED TO THE PANEL, AS WITH THE 24"x24" PANEL



1 LIFT & TWIST 4X4 PANEL GRID
SCALE: 1" = 1'-0"

2'x2' 15/16" H.D. GRID SYSTEM (BY OTHER)

48"x72" PANEL HAS (12) LOAD POINTS, STARTING WITH THE (4) CORNER CLIPS ATTACHED TO THE PANEL, AS WITH THE 24"x24" PANEL



1

LIFT & TWIST 4X6 PANEL GRID

SCALE: 1" = 1'-0"



acoustigreen

123 Columbia Court North Chaska, MN 55318 (888) 258 4637

COPYRIGHT ACOUSTIGREEN © 2015

DRAWING NAME:

LIFT & TWIST 4X6 PANELS

DRAFTED BY: YN

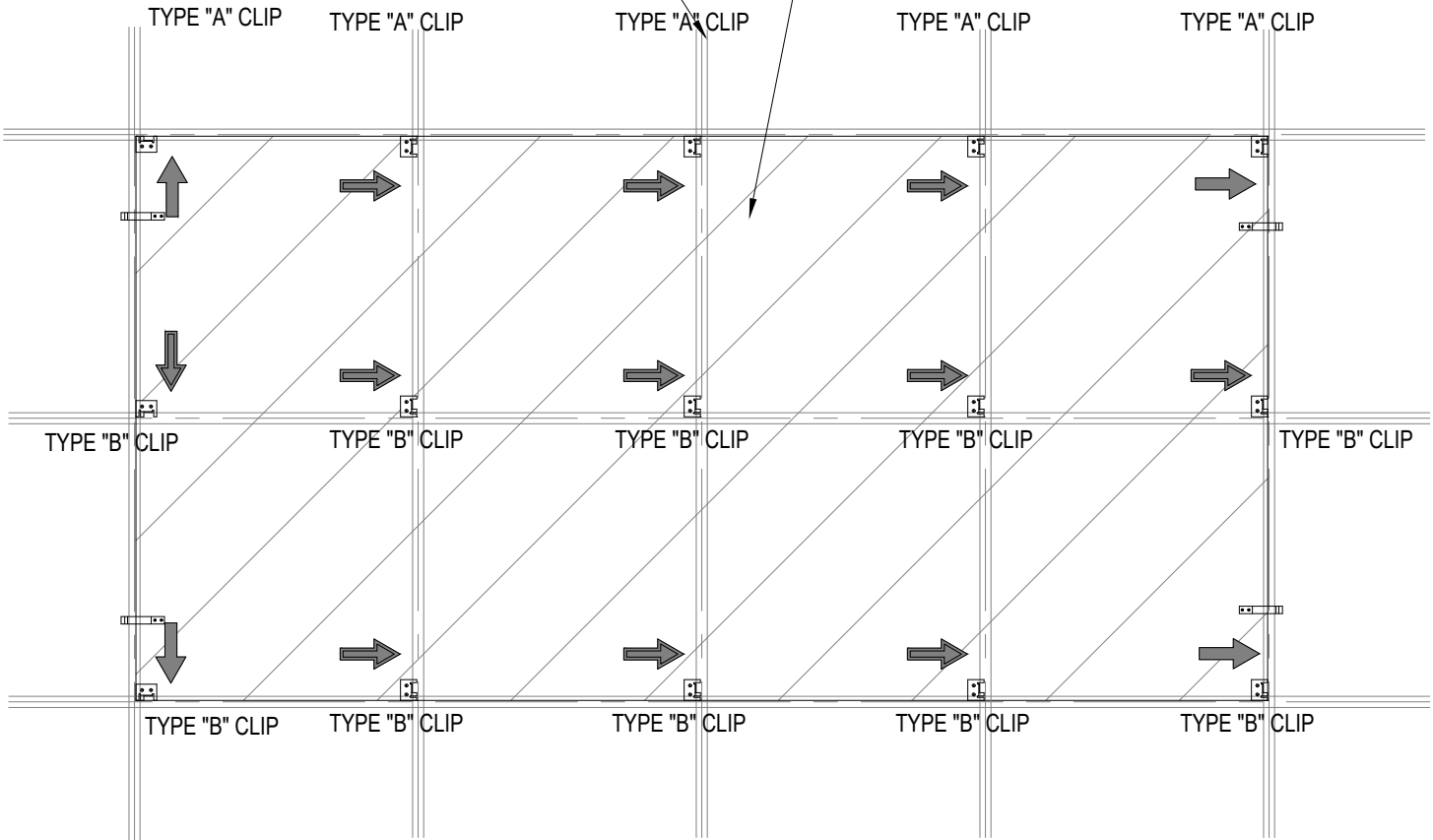
LAST REVISED: 12/7/15

SCALE: AS NOTED

DO NOT SCALE DRAWING. FIGURED DIMENSIONS ARE TO BE FOLLOWED. READ THIS DRAWING IN CONNECTION WITH GENERAL ARCHITECTURAL PLANS, STRUCTURAL PLANS, AND OTHER RELATED DRAWINGS. THESE DRAWINGS REPRESENT ACOUSTIGREEN'S UNDERSTANDING AND INTERPRETATION OF THE ARCHITECTURAL DRAWINGS AND HOW ACOUSTIGREEN PRODUCTS RELATE TO THE PROJECT.

2'x2' 15/16" H.D. GRID SYSTEM (BY OTHER)

48"x96" PANEL HAS (11) LOAD POINTS, STARTING WITH THE (4) CORNER CLIPS ATTACHED TO THE PANEL, AS WITH THE 24"x24" PANEL



1 LIFT & TWIST 4X8 PANEL GRID

SCALE: 3/4" = 1'-0"



acoustigreen

123 Columbia Court North Chaska, MN 55318 (888) 258 4637

COPYRIGHT ACOUSTIGREEN © 2015

DRAWING NAME:

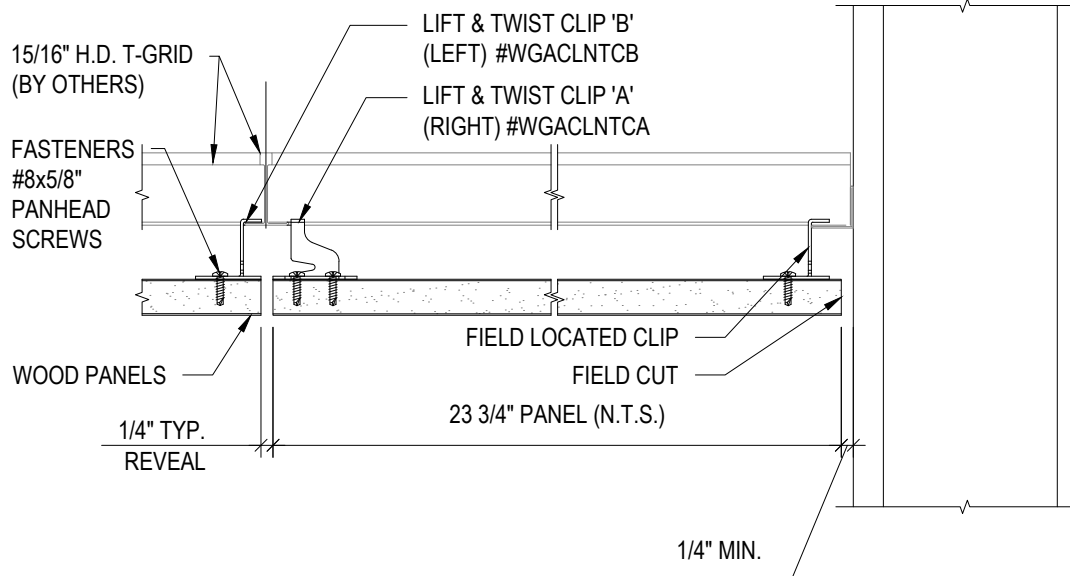
LIFT & TWIST 4X8 PANELS

DRAFTED BY: YN

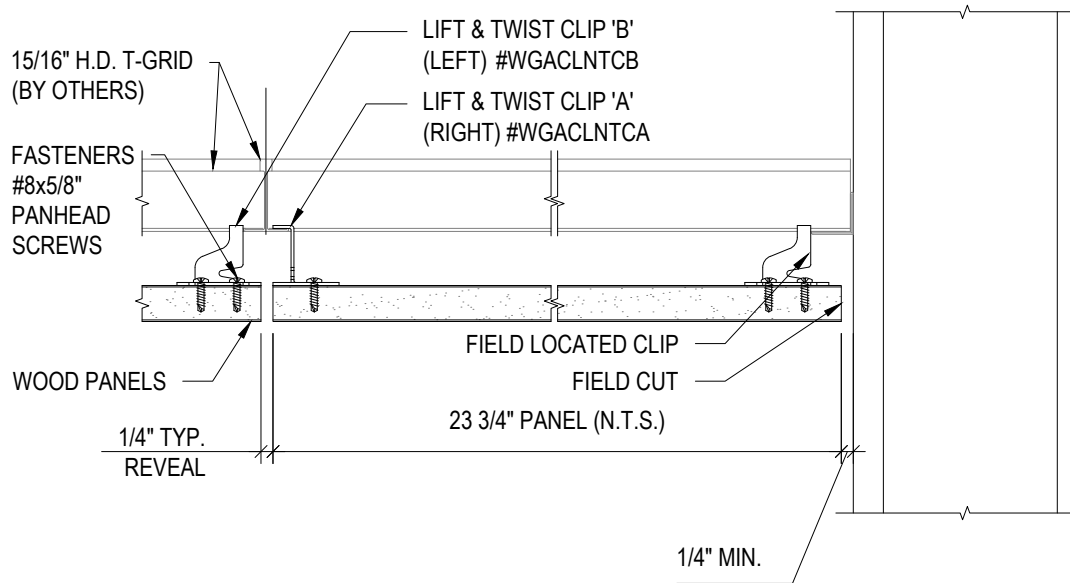
LAST REVISED: 12/7/15

SCALE: AS NOTED

DO NOT SCALE DRAWING. FIGURED DIMENSIONS ARE TO BE FOLLOWED. READ THIS DRAWING IN CONNECTION WITH GENERAL ARCHITECTURAL PLANS, STRUCTURAL PLANS, AND OTHER RELATED DRAWINGS. THESE DRAWINGS REPRESENT ACOUSTIGREEN'S UNDERSTANDING AND INTERPRETATION OF THE ARCHITECTURAL DRAWINGS AND HOW ACOUSTIGREEN PRODUCTS RELATE TO THE PROJECT.



1 LIFT & TWIST SECTION AT WALL
SCALE: 3" = 1'-0"



2 LIFT & TWIST SECTION AT WALL
SCALE: 3" = 1'-0"



acoustigreen

123 Columbia Court North Chaska, MN 55318 (888) 258 4637

COPYRIGHT ACOUSTIGREEN © 2015

DRAWING NAME:

LIFT & TWIST SYSTEM ENDING ON WALL

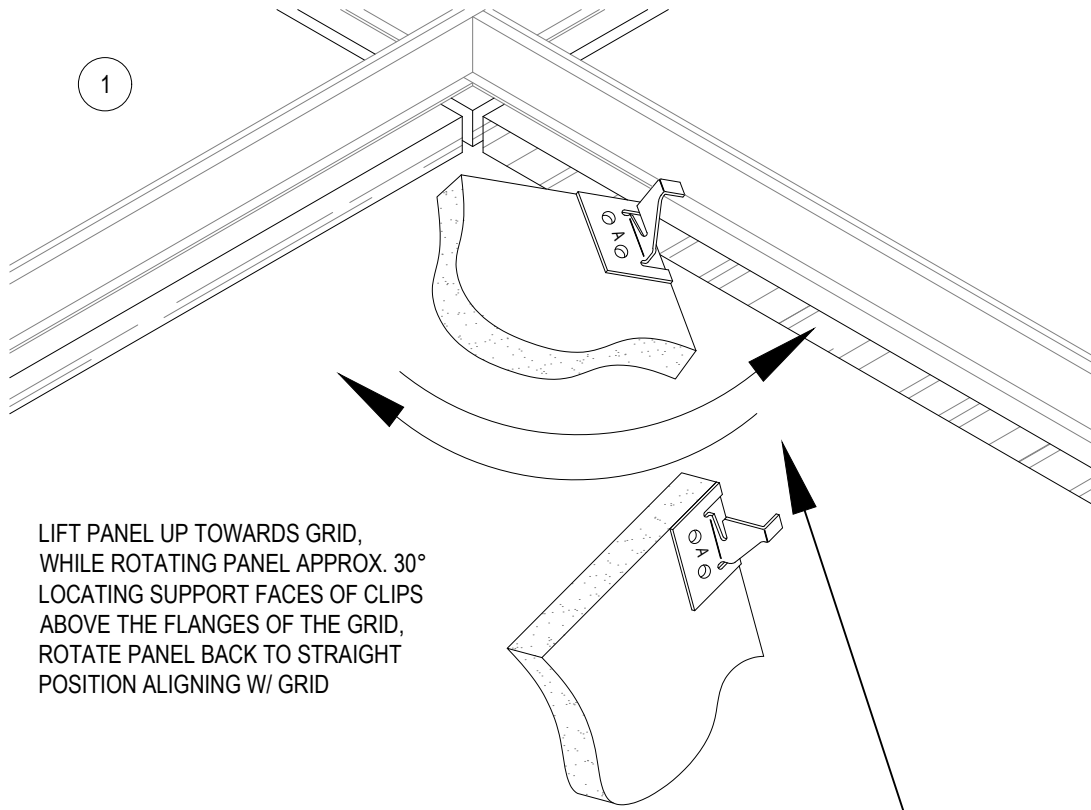
DRAFTED BY: YN/BCO

LAST REVISED: 2/1/16

SCALE: AS NOTED

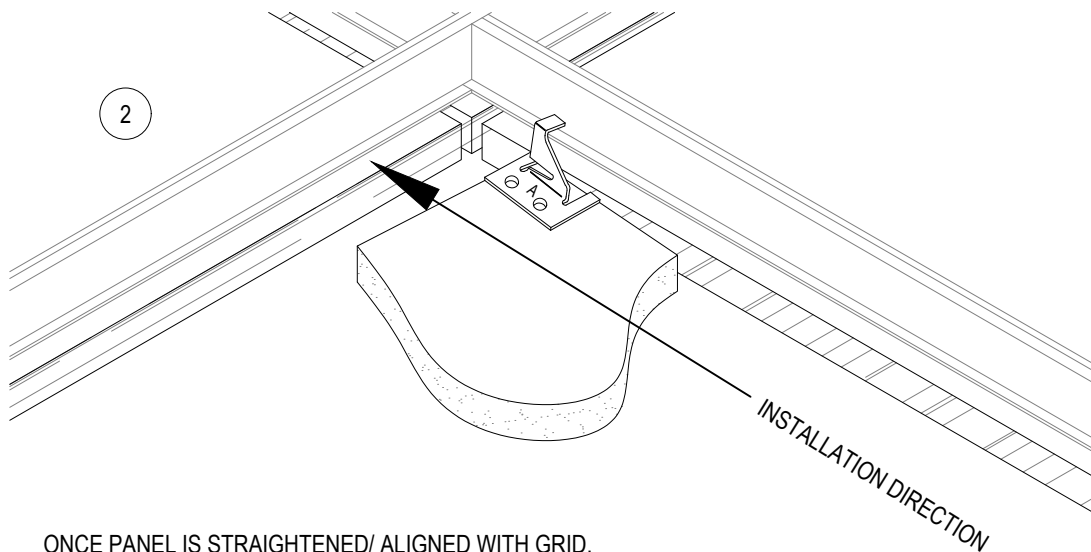
DO NOT SCALE DRAWING. FIGURED DIMENSIONS ARE TO BE FOLLOWED. READ THIS DRAWING IN CONNECTION WITH GENERAL ARCHITECTURAL PLANS, STRUCTURAL PLANS, AND OTHER RELATED DRAWINGS. THESE DRAWINGS REPRESENT ACOUSTIGREEN'S UNDERSTANDING AND INTERPRETATION OF THE ARCHITECTURAL DRAWINGS AND HOW ACOUSTIGREEN PRODUCTS RELATE TO THE PROJECT.

1



LIFT PANEL UP TOWARDS GRID,
WHILE ROTATING PANEL APPROX. 30°
LOCATING SUPPORT FACES OF CLIPS
ABOVE THE FLANGES OF THE GRID,
ROTATE PANEL BACK TO STRAIGHT
POSITION ALIGNING W/ GRID

2



ONCE PANEL IS STRAIGHTENED/ ALIGNED WITH GRID,
& CLIP FACES ARE RESTING ON GRID FLANGES, SLIDE
PANEL BACK TOWARDS EDGE OF GRID AS SHOWN



acoustigreen

123 Columbia Court North Chaska, MN 55318 (888) 258 4637

COPYRIGHT ACOUSTIGREEN © 2015

DRAWING NAME:

LIFT & TWIST INSTALLATION INSTRUCTIONS

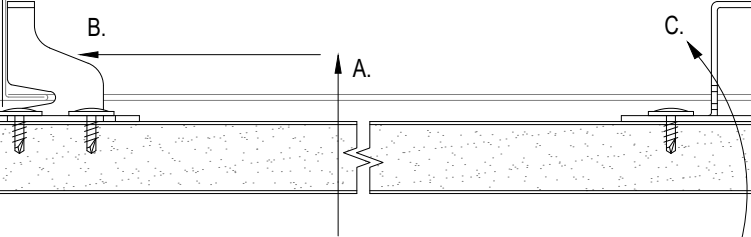
DRAFTED BY: YN

LAST REVISED: 12/17/15

SCALE: AS NOTED

DO NOT SCALE DRAWING. FIGURED DIMENSIONS ARE TO BE FOLLOWED. READ THIS DRAWING IN CONNECTION WITH GENERAL ARCHITECTURAL PLANS, STRUCTURAL PLANS, AND OTHER RELATED DRAWINGS. THESE DRAWINGS REPRESENT ACOUSTIGREEN'S UNDERSTANDING AND INTERPRETATION OF THE ARCHITECTURAL DRAWINGS AND HOW ACOUSTIGREEN PRODUCTS RELATE TO THE PROJECT.

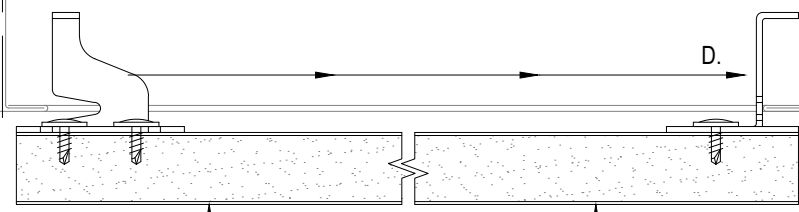
3



A. LIFT PANEL
 B. ENGAGE GRID FLANGE INTO SLOTS SHOWN

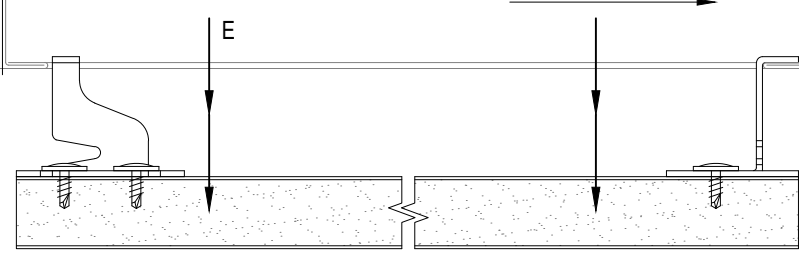
C. WHILE ENGAGING GRID SWING OTHER END OF PANEL UP, CLIPS WILL NOW CLEAR GRID

4



D. WHILE KEEPING PANEL LIFTED, SLIDE PANEL TOWARDS THE GRID @ THE OPPOSITE END OF ENGAGEMENT, UNTIL THE VERTICAL LEG OF THE CLIP BUTTS UP AGAINST THE GRID

5



E. LOWER PANEL UNTIL SUPPORT FACES OF CLIPS ARE RESTING ON THE GRID FLANGES. PANEL IS NOW INSTALLED



acoustigreen
 123 Columbia Court North Chaska, MN 55318 (888) 258 4637

COPYRIGHT ACOUSTIGREEN © 2015

DRAWING NAME:
LIFT & TWIST INSTALLATION INSTRUCTIONS

DRAFTED BY: YN

LAST REVISED: 12/17/15

SCALE: AS NOTED

DO NOT SCALE DRAWING. FIGURED DIMENSIONS ARE TO BE FOLLOWED. READ THIS DRAWING IN CONNECTION WITH GENERAL ARCHITECTURAL PLANS, STRUCTURAL PLANS, AND OTHER RELATED DRAWINGS. THESE DRAWINGS REPRESENT ACOUSTIGREEN'S UNDERSTANDING AND INTERPRETATION OF THE ARCHITECTURAL DRAWINGS AND HOW ACOUSTIGREEN PRODUCTS RELATE TO THE PROJECT.