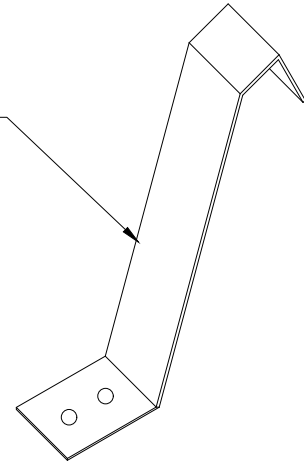


SAFETY CLIP

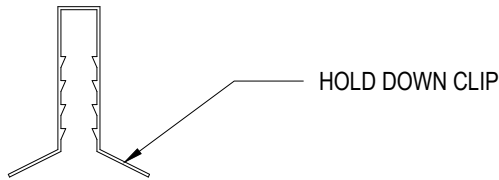


2 SAFETY CLIP #WGACSC

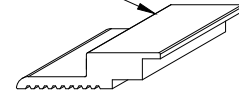
SCALE: 6" = 1'-0"

1 LIFT & SHIFT SYSTEM SECTION

SCALE: 3" = 1'-0"



LIFT & SHIFT CLIP

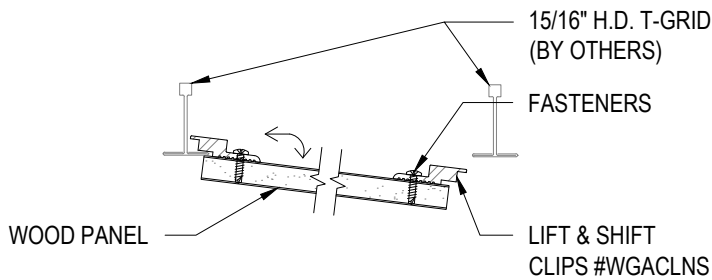


3 HOLD DOWN CLIP #WGACHD

SCALE: 6" = 1'-0"

4 LIFT & SHIFT CLIP #WGACLNS

SCALE: 6" = 1'-0"



NOTES:

ALL CLIPS AND PANEL SCREWS PROVIDED BY ACOUSTIGREEN AND INSTALLED BY OTHERS.

PANELS FOR 9/16" T-GRID NOT AVAILABLE.

5 LIFT & SHIFT PANEL REMOVAL

SCALE: 3" = 1'-0"

NOTE:

HOLES ARE PRE DRILLED FOR LIFT & SHIFT CLIPS AND FOR SAFETY CLIPS. LIFT & SHIFT PANELS ARE LIMITED TO 24" WIDTH.

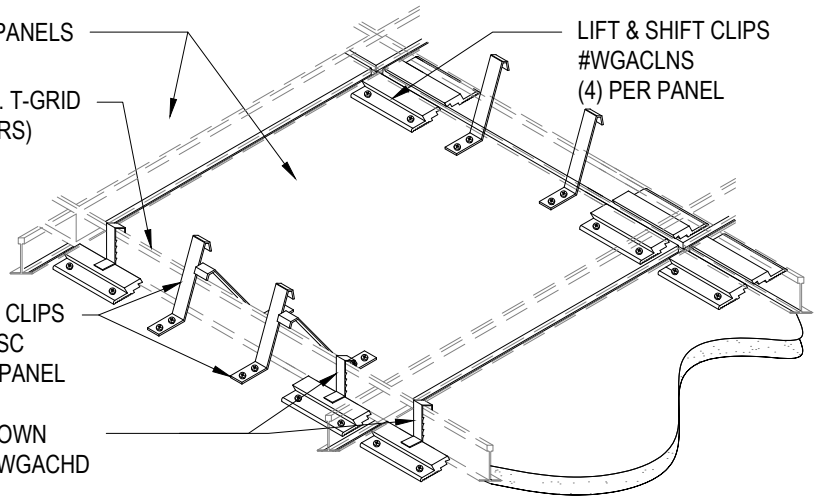
2x2 CLG. PANELS

15/16" H.D. T-GRID
(BY OTHERS)

LIFT & SHIFT CLIPS
#WGACLNS
(4) PER PANEL

SAFETY CLIPS
#WGACSC
(4) PER PANEL

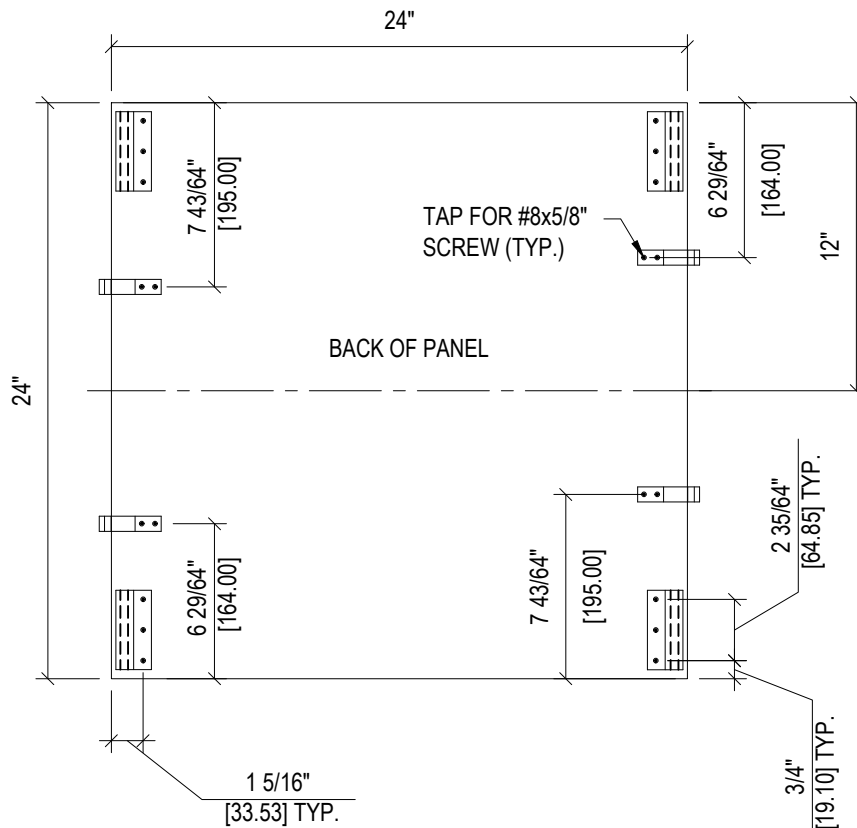
HOLD DOWN
CLIPS #WGACHD



1

BACK OF 2X2 PANELS

SCALE: 1 1/2" = 1'-0"



2

LIFT & SHIFT 2X2 PANEL TAP

SCALE: 1 1/2" = 1'-0"



acoustigreen

123 Columbia Court North Chaska, MN 55318 (888) 258 4637

COPYRIGHT ACOUSTIGREEN © 2015

DRAWING NAME:

LIFT & SHIFT 2X2 PANELS

DRAFTED BY: YN/BCO

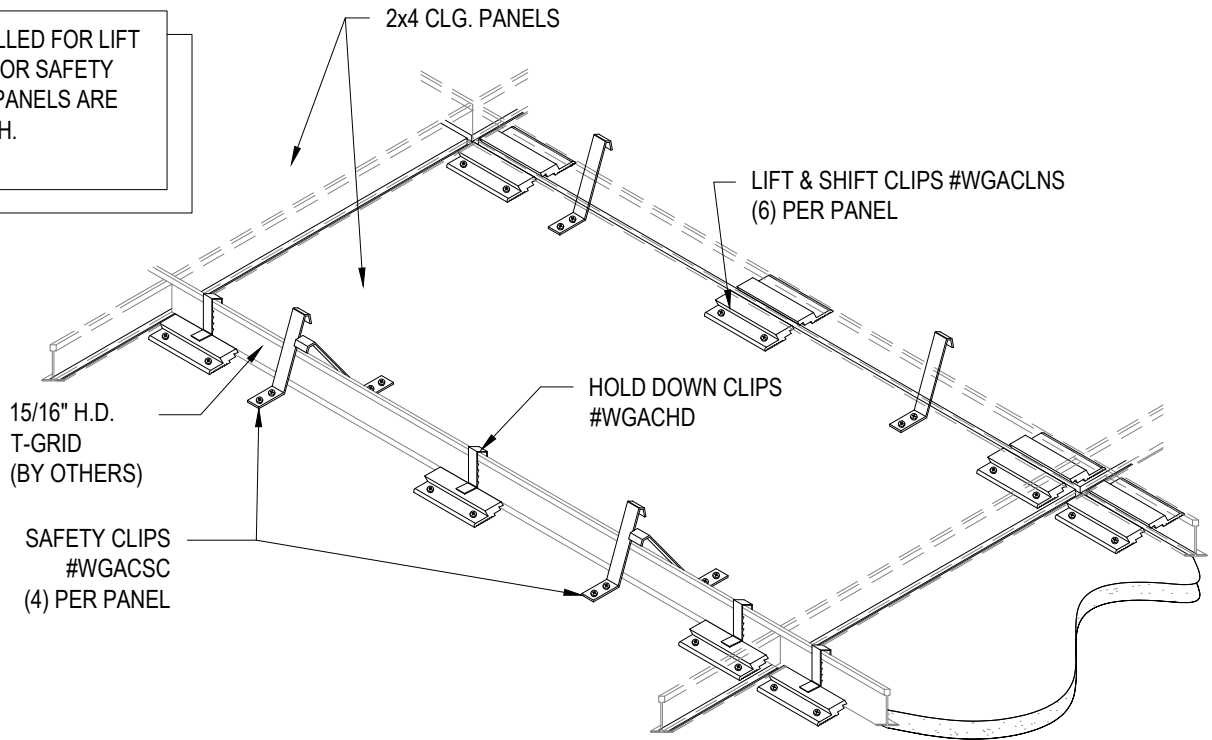
LAST REVISED: 5/24/16

SCALE: AS NOTED

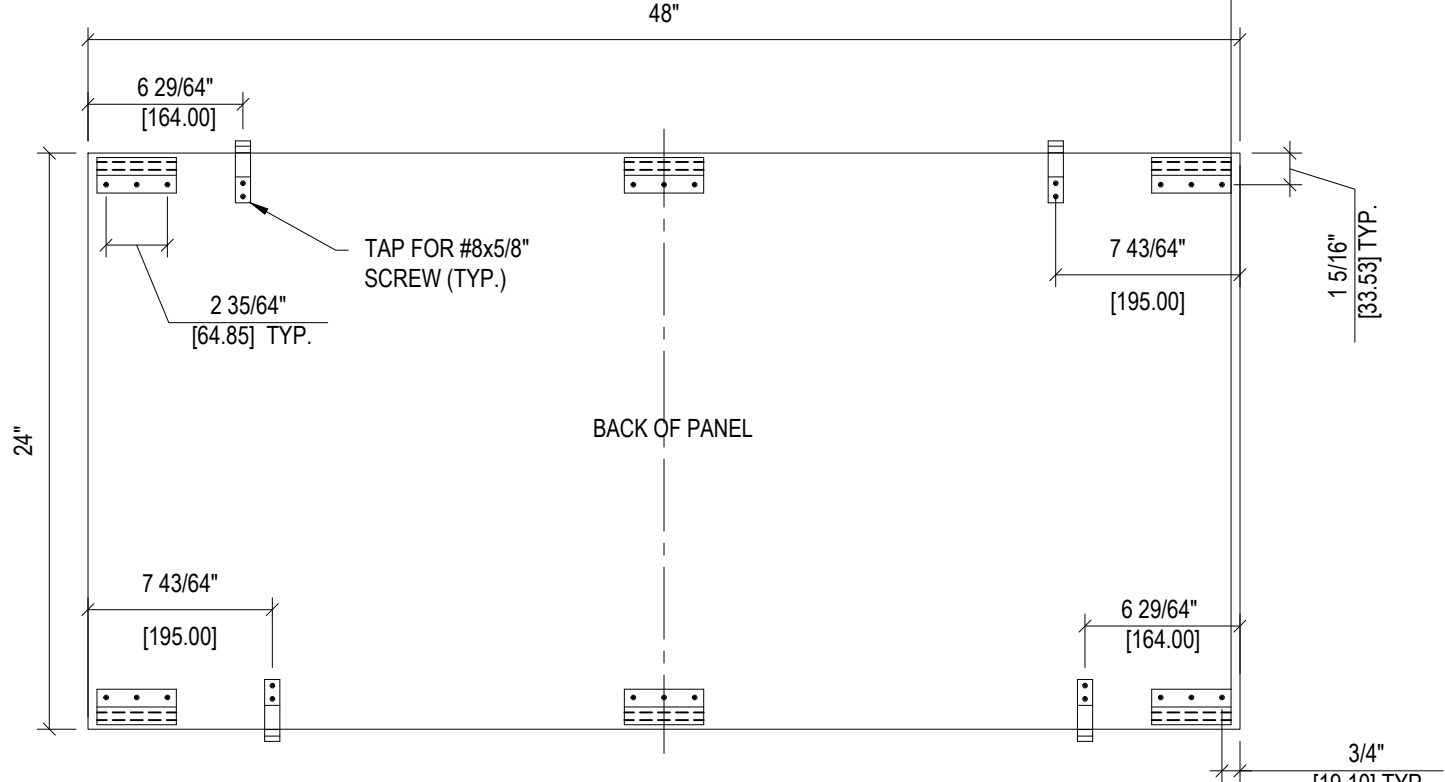
DO NOT SCALE DRAWING. FIGURED DIMENSIONS ARE TO BE FOLLOWED. READ THIS DRAWING IN CONNECTION WITH GENERAL ARCHITECTURAL PLANS, STRUCTURAL PLANS, AND OTHER RELATED DRAWINGS. THESE DRAWINGS REPRESENT ACOUSTIGREEN'S UNDERSTANDING AND INTERPRETATION OF THE ARCHITECTURAL DRAWINGS AND HOW ACOUSTIGREEN PRODUCTS RELATE TO THE PROJECT.

NOTE:

HOLES ARE PRE DRILLED FOR LIFT & SHIFT CLIPS AND FOR SAFETY CLIPS. LIFT & SHIFT PANELS ARE LIMITED TO 24" WIDTH.

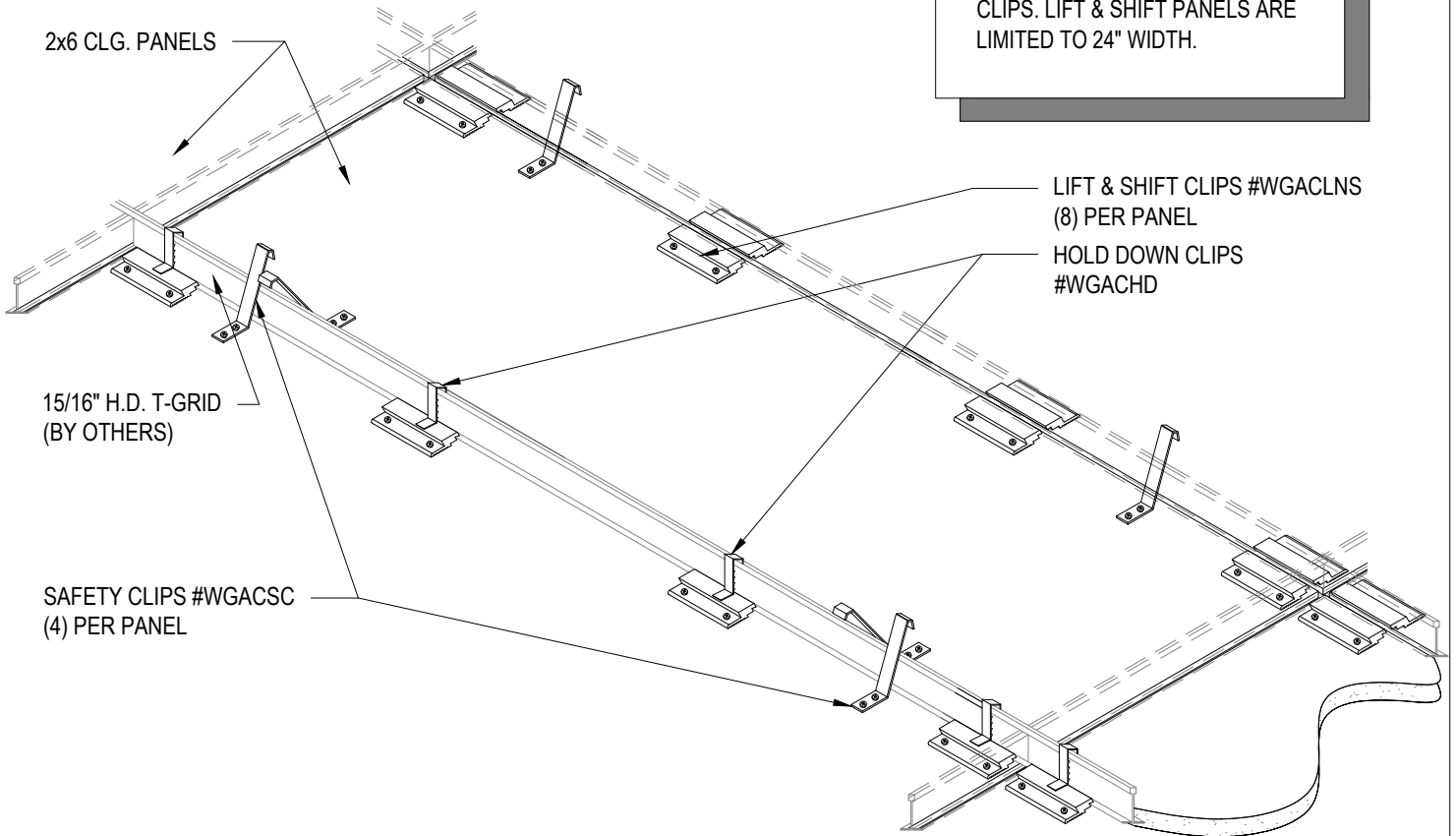


1 BACK OF 2X4 PANELS
SCALE: 1 1/2" = 1'-0"



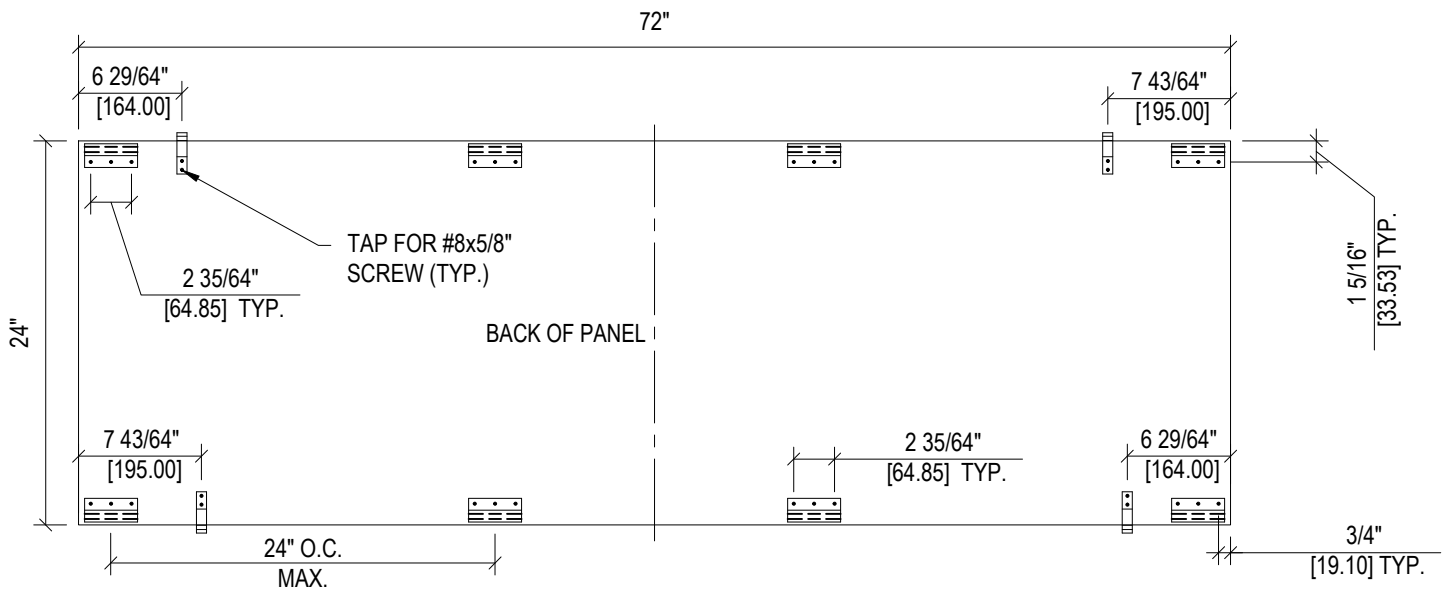
2 LIFT & SHIFT 2X4 PANEL TAP
SCALE: 1 1/2" = 1'-0"

NOTE:
HOLES ARE PRE DRILLED FOR LIFT & SHIFT CLIPS AND FOR SAFETY CLIPS. LIFT & SHIFT PANELS ARE LIMITED TO 24" WIDTH.



1 BACK OF 2X6 PANELS

SCALE: 1 1/2" = 1'-0"



2 LIFT & SHIFT 2X6 PANEL TAP

SCALE: 1" = 1'-0"



acoustigreen

123 Columbia Court North Chaska, MN 55318 (888) 258 4637

COPYRIGHT ACOUSTIGREEN © 2015

DRAWING NAME:

LIFT & SHIFT 2X6 PANELS

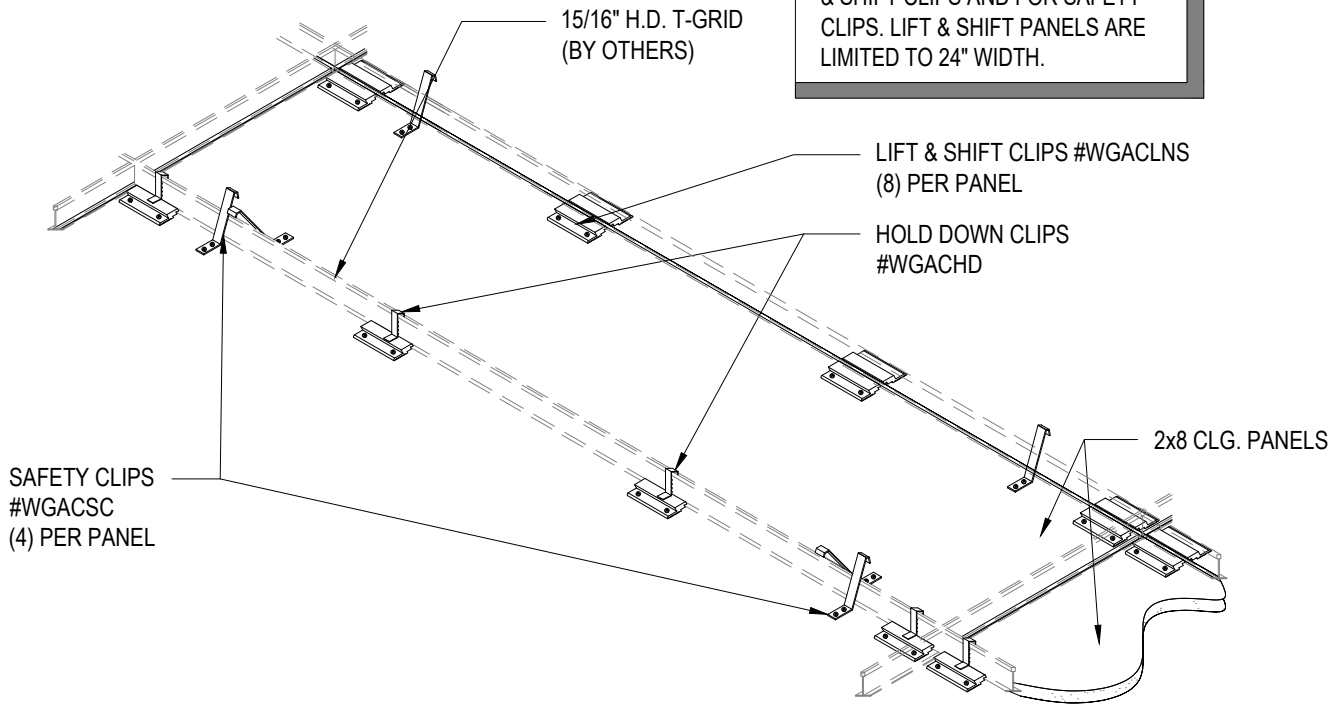
DRAFTED BY: YN/BCO

LAST REVISED: 5/24/16

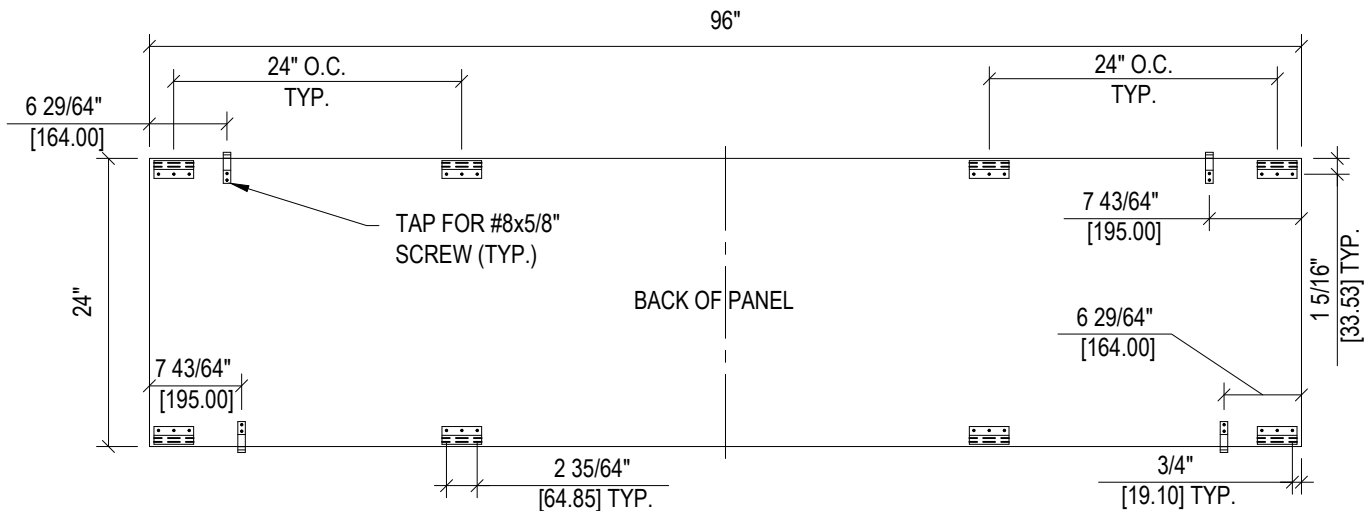
SCALE: AS NOTED

DO NOT SCALE DRAWING. FIGURED DIMENSIONS ARE TO BE FOLLOWED. READ THIS DRAWING IN CONNECTION WITH GENERAL ARCHITECTURAL PLANS, STRUCTURAL PLANS, AND OTHER RELATED DRAWINGS. THESE DRAWINGS REPRESENT ACOUSTIGREEN'S UNDERSTANDING AND INTERPRETATION OF THE ARCHITECTURAL DRAWINGS AND HOW ACOUSTIGREEN PRODUCTS RELATE TO THE PROJECT.

NOTE:
 HOLES ARE PRE DRILLED FOR LIFT & SHIFT CLIPS AND FOR SAFETY CLIPS. LIFT & SHIFT PANELS ARE LIMITED TO 24" WIDTH.



1 BACK OF 2X8 PANELS
 SCALE: 1" = 1'-0"



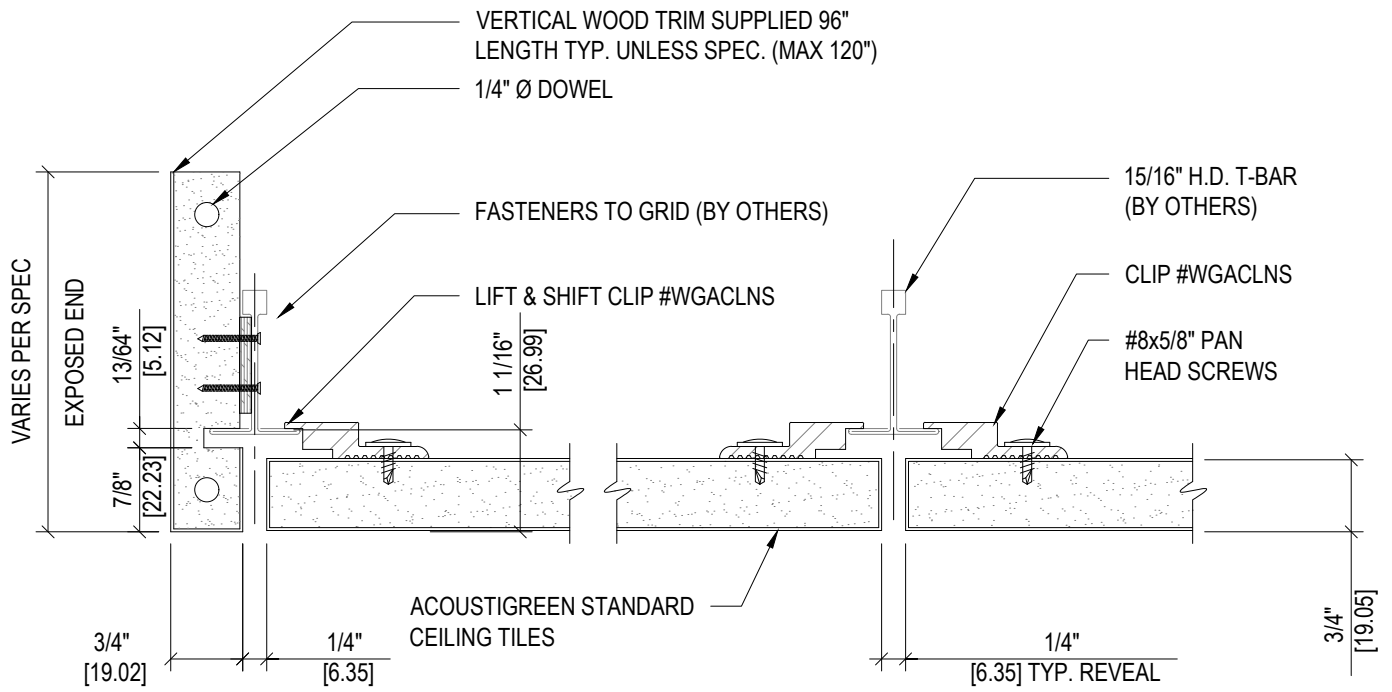
2 LIFT & SHIFT 2X8 PANEL TAP
 SCALE: 3/4" = 1'-0"

NOTES:

VERTICAL RETURN FOR HEAVY DUTY APPLICATION ONLY

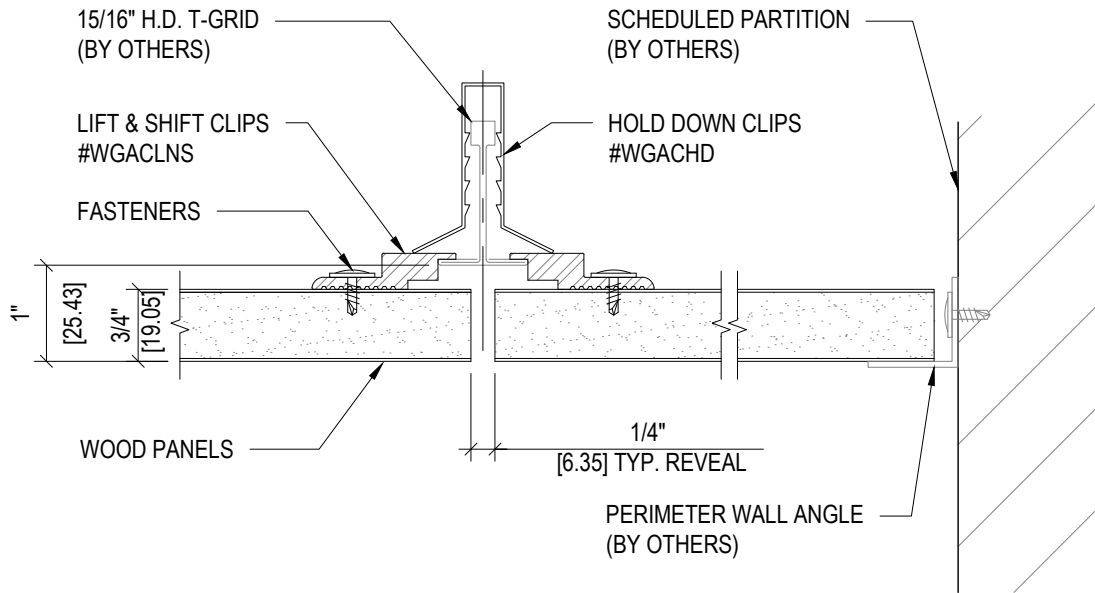
ALL CLIPS AND PANEL SCREWS PROVIDED BY ACOUSTIGREEN AND INSTALLED BY OTHER

FIELD CUT MITER CORNER, JOINT GLUED OR PINNED IN FIELD



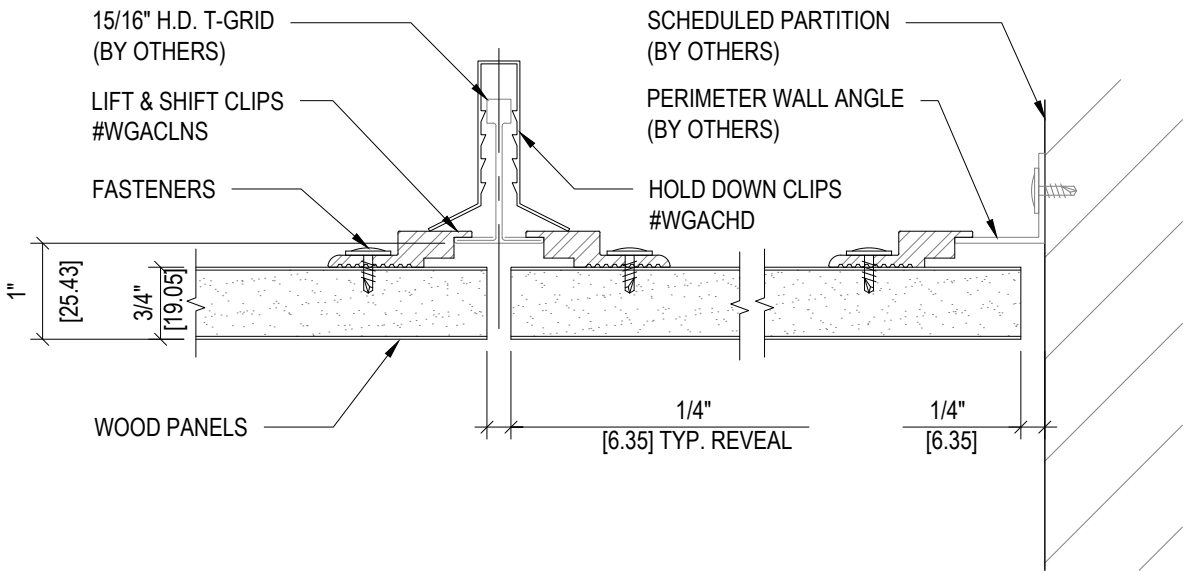
1 LIFT & SHIFT VERTICAL RETURN

SCALE: 6" = 1'-0"



1 PERIMETER OPTIONS PANEL ON WALL ANGLE

SCALE: 6" = 1'-0"



2 LIFT & SHIFT CLIP ON WALL ANGLE

SCALE: 6" = 1'-0"

15/16" H.D. T-GRID
(BY OTHERS)

LIFT & SHIFT CLIPS
#WGACLNS

FASTENERS

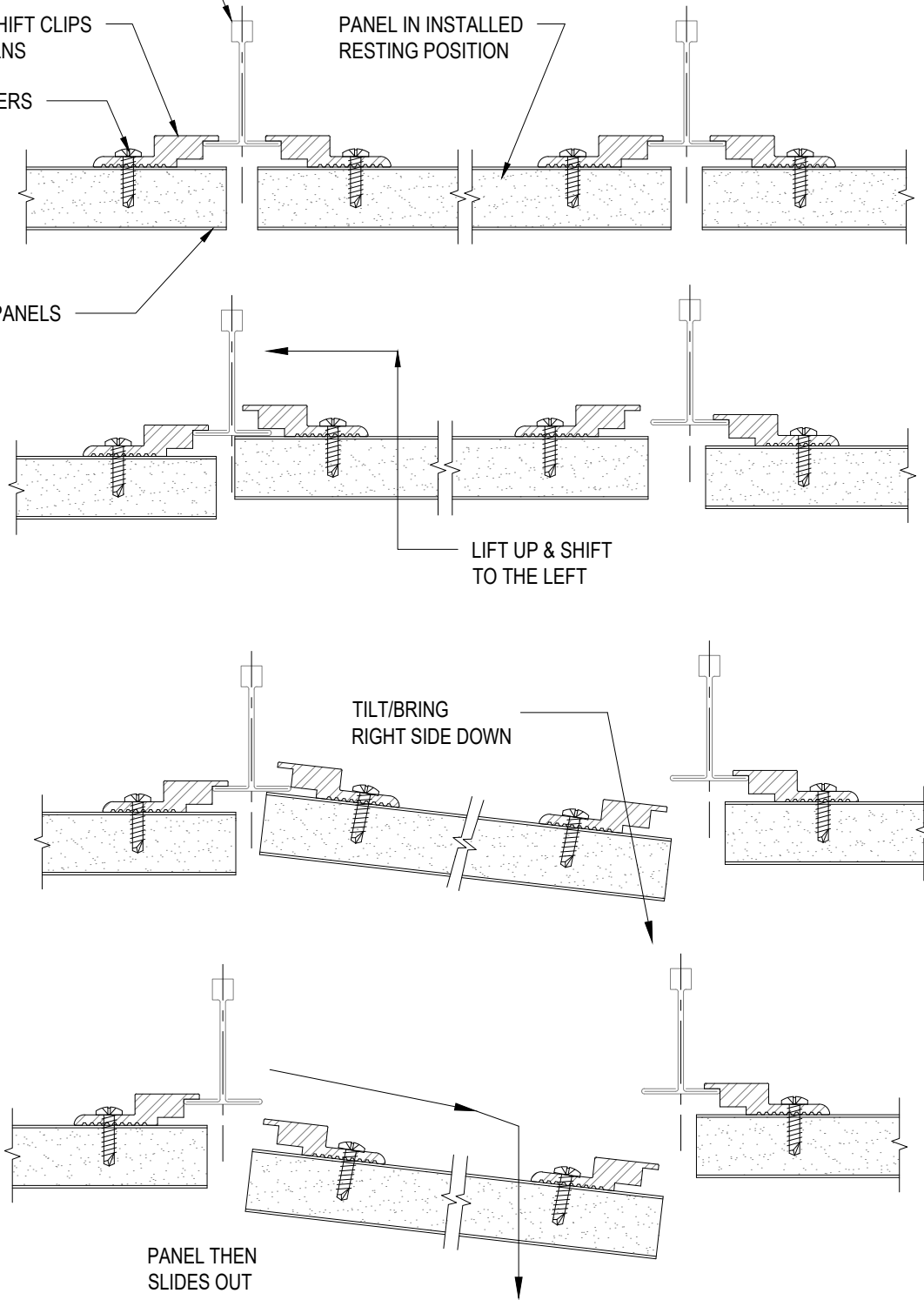
PANEL IN INSTALLED
RESTING POSITION

WOOD PANELS

LIFT UP & SHIFT
TO THE LEFT

TILT/BRING
RIGHT SIDE DOWN

PANEL THEN
SLIDES OUT



acoustigreen

123 Columbia Court North Chaska, MN 55318 (888) 258 4637

COPYRIGHT ACOUSTIGREEN © 2015

DRAWING NAME:

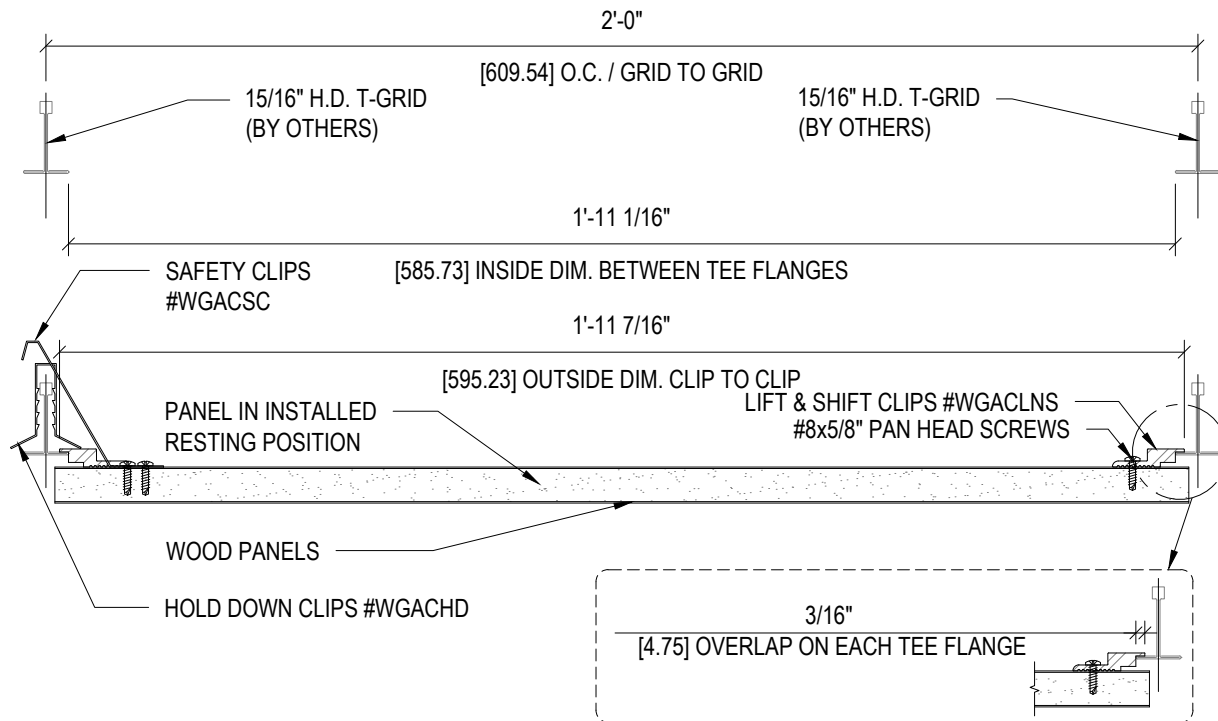
LIFT & SHIFT INSTALLATION INSTRUCTIONS

DRAFTED BY: YN/BCO

LAST REVISED: 5/24/16

SCALE: AS NOTED

DO NOT SCALE DRAWING. FIGURED DIMENSIONS ARE TO BE FOLLOWED. READ THIS DRAWING IN CONNECTION WITH GENERAL ARCHITECTURAL PLANS, STRUCTURAL PLANS, AND OTHER RELATED DRAWINGS. THESE DRAWINGS REPRESENT ACOUSTIGREEN'S UNDERSTANDING AND INTERPRETATION OF THE ARCHITECTURAL DRAWINGS AND HOW ACOUSTIGREEN PRODUCTS RELATE TO THE PROJECT.



LIFT AND SHIFT CEILING SYSTEM

NOTE:

IF THE GRID AND CLIPS ARE INSTALLED PROPERLY THE ONLY WAYS THE CLIPS WILL COME OFF OF THE TEE FLANGE ARE AS FOLLOWS:

1. THE STANDARD LIFT AND SHIFT METHOD OF REMOVAL.
2. THE GRID HAS SHIFTED OR DISLODGED OUT OF SQUARE CAUSING ONE OR MORE OF THE CLIPS TO COME OFF OF THE FLANGE. (THIS CAN BE MINIMIZED BY THE USE OF THE HOLD DOWN CLIPS ON PANELS THAT ARE NOT ROUTINELY REMOVED FOR ACCESS. THESE CLIPS ALLOW THE PANELS TO HELP HOLD THE GRID SQUARE, AND ARE FURNISHED WITH THE PANELS.)
3. THE PANEL CONTRACTED MORE THAN 3/16" OF AN INCH. (THERE WILL BE SOME NATURAL EXPANSION/ CONTRACTION OF THE PANELS DUE TO ENVIRONMENTAL CHANGES IN TEMPERATURE AND HUMIDITY. WITHIN THE SPECIFIED RANGE OF 50 DEG. F TO 86 DEG. F, AND 25% TO 55% RELATIVE HUMIDITY THE PANEL WILL CONTRACT NO MORE THAN 3/32 OF AN INCH.)
4. THE PANEL HAS BOWED MORE THAN 1 1/4 INCHES. (THIS CAN BE CAUSED BY GRAVITY SAG OR ENVIRONMENTAL CONDITIONS, PRIMARILY HUMIDITY OUTSIDE OF THE SPECIFICATIONS. SEE NO. 3.)
5. A COMBINATION OF CONTRACTION AND BOWING. (WITHIN THE SPECIFIED ENVIRONMENTAL CONDITIONS THE COMBINATION OF BOW AND SAG WOULD HAVE TO EXCEED 5/8 OF AN INCH BOW, AND THE PANEL CONTRACTED MORE THAN 3/32 OF AN INCH.)
6. REVERSE PROCESS FOR INSTALLATION.



acoustigreen

123 Columbia Court North Chaska, MN 55318 (888) 258 4637

COPYRIGHT ACOUSTIGREEN © 2015

DRAWING NAME:

LIFT & SHIFT INSTALLATION INSTRUCTIONS

DRAFTED BY: YN/BCO

LAST REVISED: 5/24/16

SCALE: AS NOTED

DO NOT SCALE DRAWING. FIGURED DIMENSIONS ARE TO BE FOLLOWED. READ THIS DRAWING IN CONNECTION WITH GENERAL ARCHITECTURAL PLANS, STRUCTURAL PLANS, AND OTHER RELATED DRAWINGS. THESE DRAWINGS REPRESENT ACOUSTIGREEN'S UNDERSTANDING AND INTERPRETATION OF THE ARCHITECTURAL DRAWINGS AND HOW ACOUSTIGREEN PRODUCTS RELATE TO THE PROJECT.