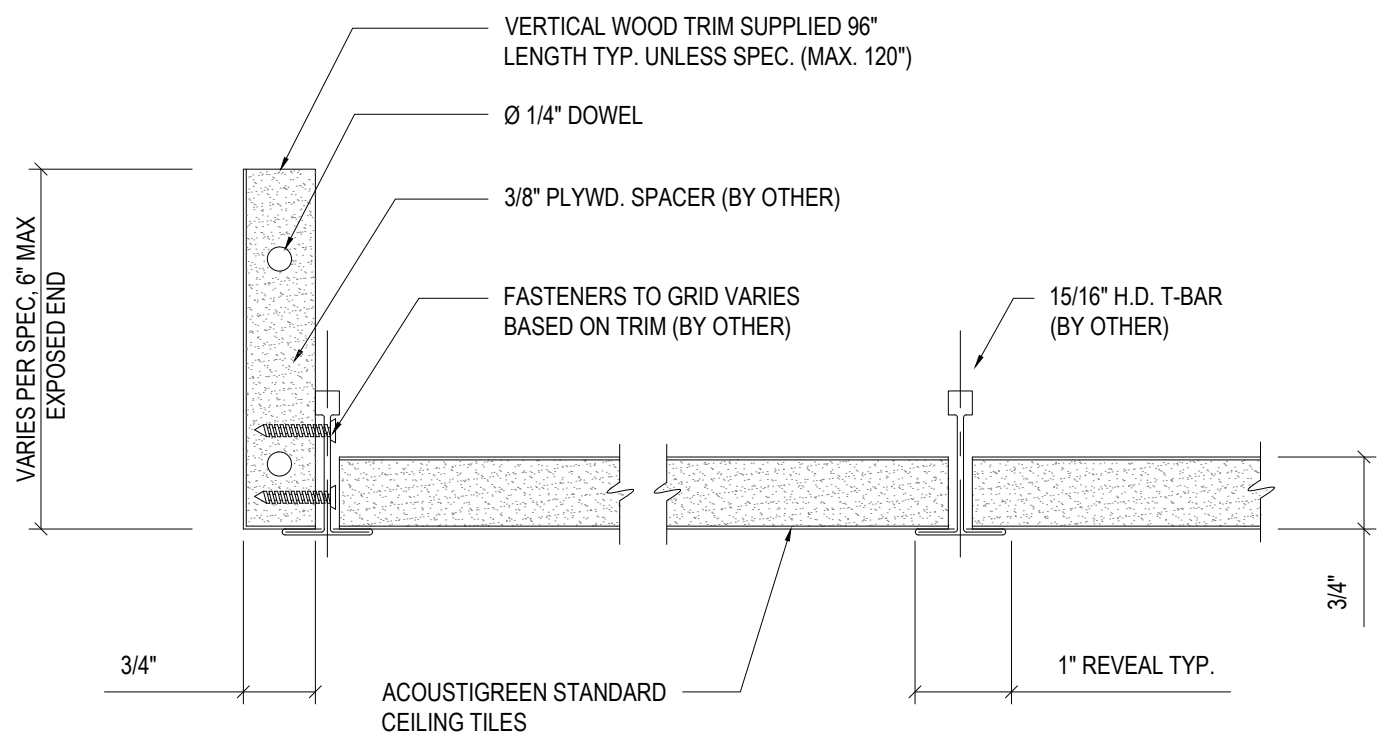


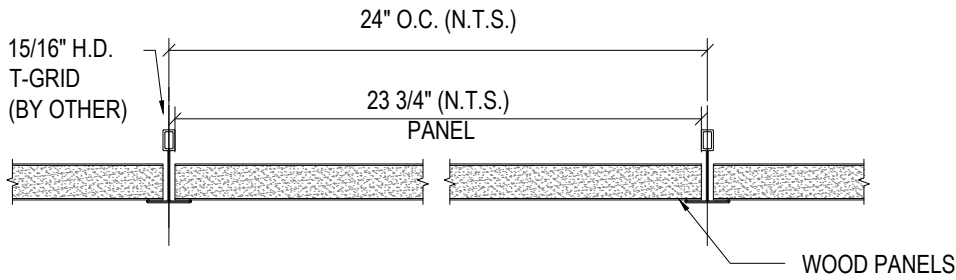
NOTES:

- VERTICAL RETURN FOR HEAVY DUTY APPLICATION ONLY
- ALL CLIPS AND PANEL SCREWS PROVIDED BY ACOUSTIGREEN AND INSTALLED BY OTHER
- FIELD MITER CUT AT CORNERS
- TEGULAR PANELS FOR 9/16" T-GRID NOT AVAILABLE

1 LAY-IN-SECTION  
1 SCALE: 6" = 1'-0" ARCH REF: N/A



2 LAY-IN VERTICAL RETURN SECTION  
1 SCALE: 6" = 1'-0" ARCH REF: N/A

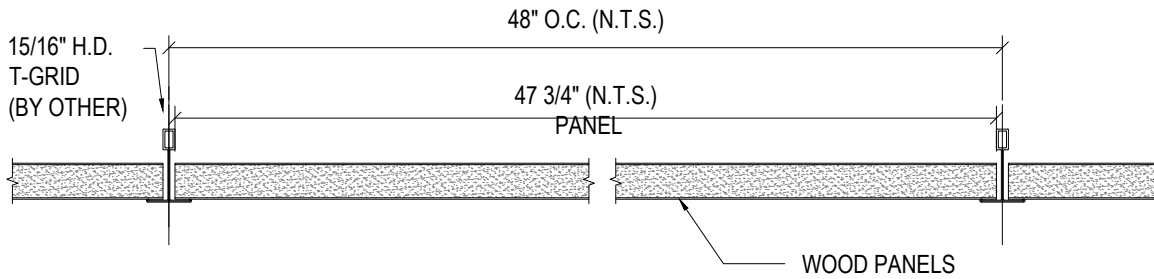


PANELS SIZES  
AVAILABLE:

- 2x2
- 2x4
- 2x6
- 2x8

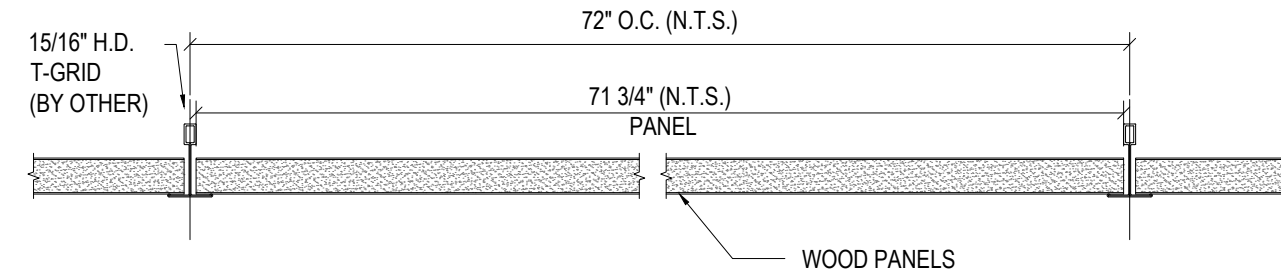
1 2' LAY-IN SECTION

2 SCALE: 3" = 1'-0" ARCH REF: N/A



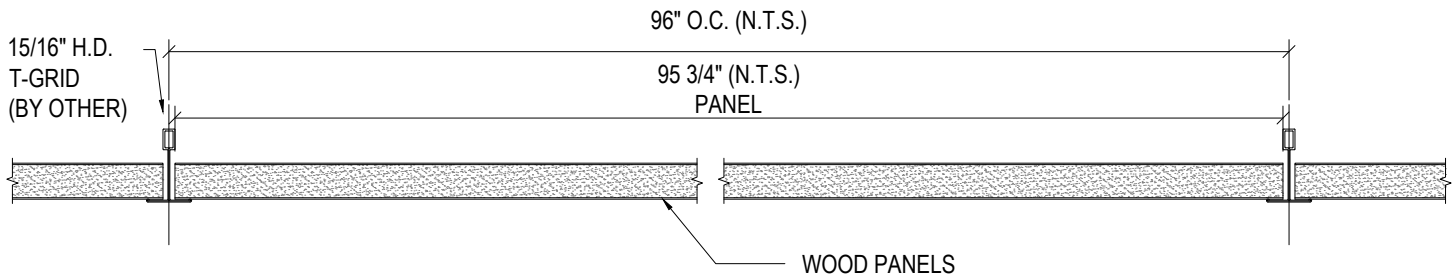
2 4' LAY-IN SECTION

2 SCALE: 3" = 1'-0" ARCH REF: N/A



3 6' LAY-IN SECTION

2 SCALE: 3" = 1'-0" ARCH REF: N/A



4 8' LAY-IN SECTION

2 SCALE: 3" = 1'-0" ARCH REF: N/A



acoustigreen

123 Columbia Court North Chaska, MN 55318 (888) 258 4637

COPYRIGHT ACOUSTIGREEN © 2015

DRAWING NAME:

LAY-IN PANEL SECTION 2', 4', 6', 8'

DRAFTED BY: Author

LAST REVISED: MM/DD/YYYY SCALE: NTS

DO NOT SCALE DRAWING. FIGURED DIMENSIONS ARE TO BE FOLLOWED. READ THIS DRAWING IN CONNECTION WITH GENERAL ARCHITECTURAL PLANS, STRUCTURAL PLANS, AND OTHER RELATED DRAWINGS. THESE DRAWINGS REPRESENT ACOUSTIGREEN'S UNDERSTANDING AND INTERPRETATION OF THE ARCHITECTURAL DRAWINGS AND HOW ACOUSTIGREEN PRODUCTS RELATE TO THE PROJECT.