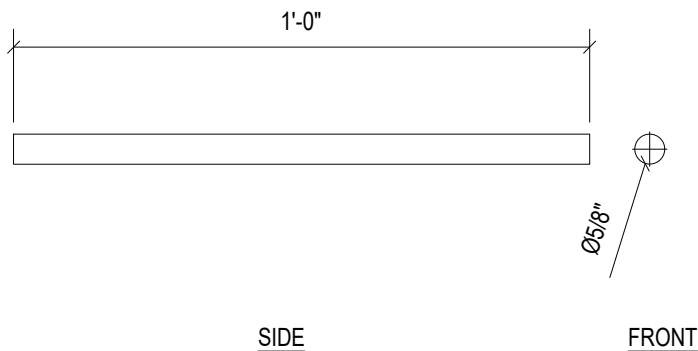
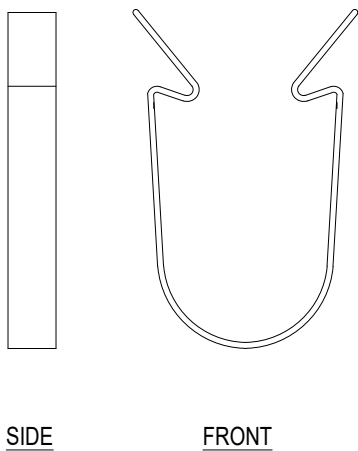


1 GRILLE SECTION DETAIL

SCALE: 3" = 1'-0"



2 SUSPENDED ATTACHMENT CLIP

SCALE: 1'-0" = 1'-0"

3 BLACK DOWEL - TYP.

SCALE: 3" = 1'-0"



acoustigreen

123 Columbia Court North Chaska, MN 55318 (888) 258 4637

COPYRIGHT ACOUSTIGREEN © 2015

DRAWING NAME:

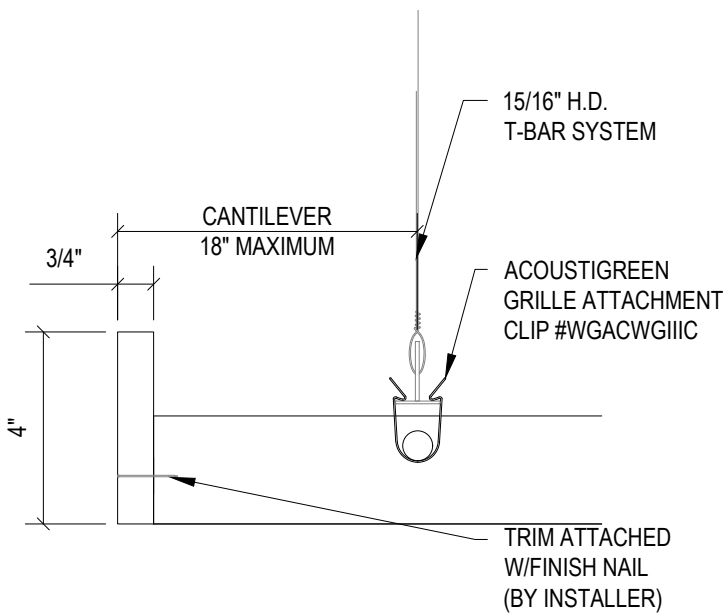
GRILLE SYSTEM SECTION DETAILS

DRAFTED BY: YPN

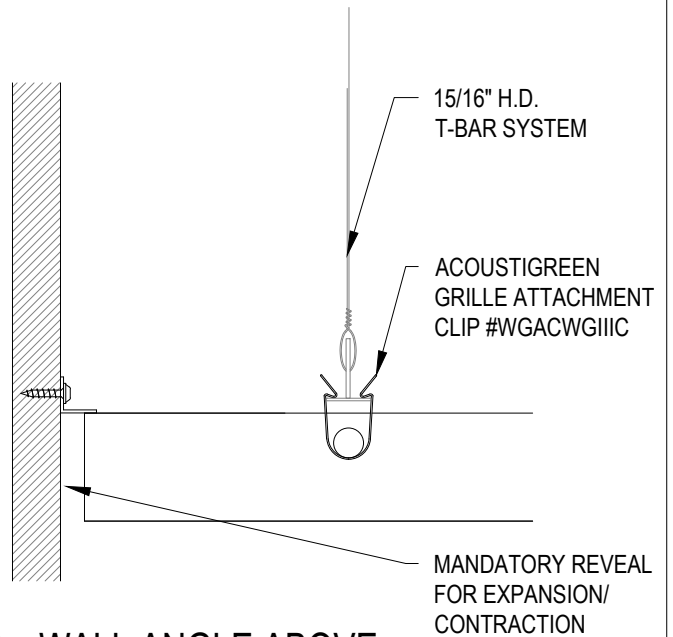
LAST REVISED: 1/28/16

SCALE: AS NOTED

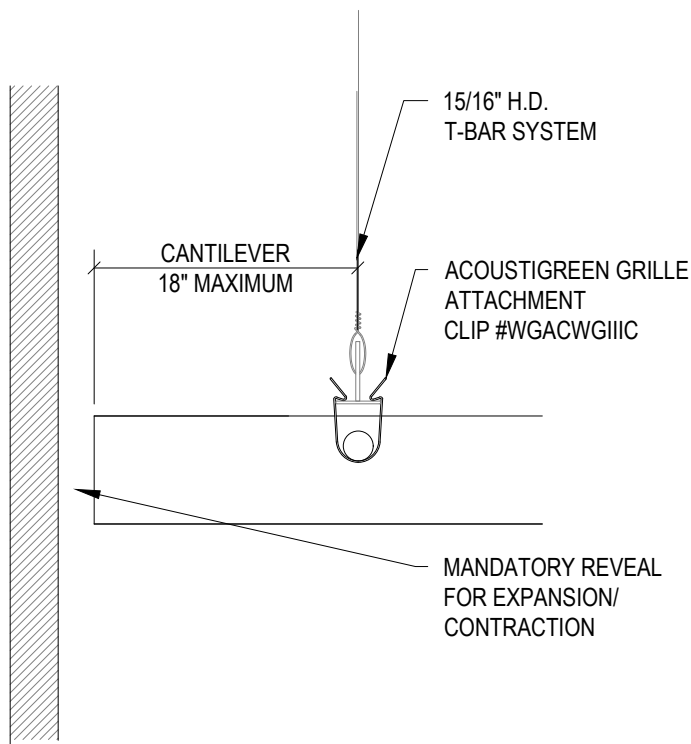
DO NOT SCALE DRAWING. FIGURED DIMENSIONS ARE TO BE FOLLOWED. READ THIS DRAWING IN CONNECTION WITH GENERAL ARCHITECTURAL PLANS, STRUCTURAL PLANS, AND OTHER RELATED DRAWINGS. THESE DRAWINGS REPRESENT ACOUSTIGREEN'S UNDERSTANDING AND INTERPRETATION OF THE ARCHITECTURAL DRAWINGS AND HOW ACOUSTIGREEN PRODUCTS RELATE TO THE PROJECT.



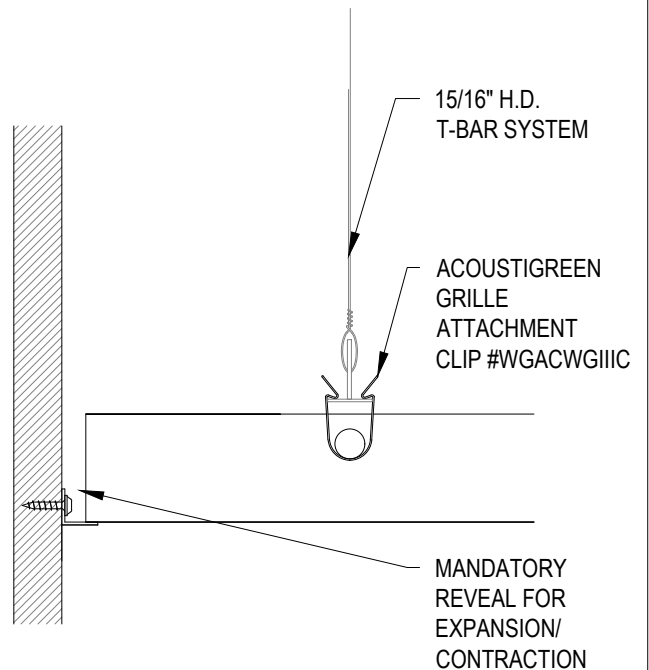
1 FLOATING WITH VERTICAL RETURN
SCALE: 3" = 1'-0"



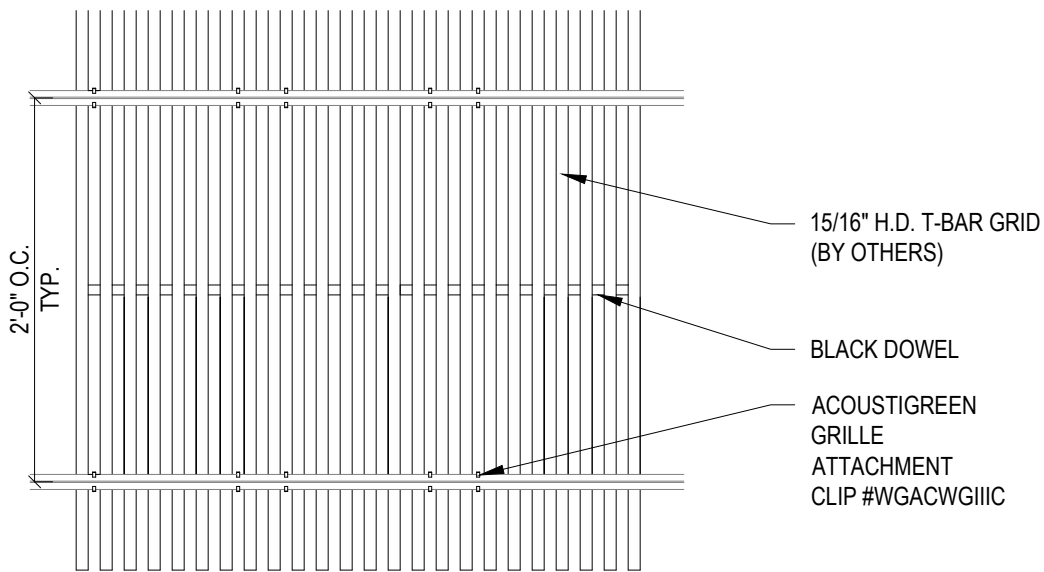
2 WALL ANGLE ABOVE
SCALE: 3" = 1'-0"



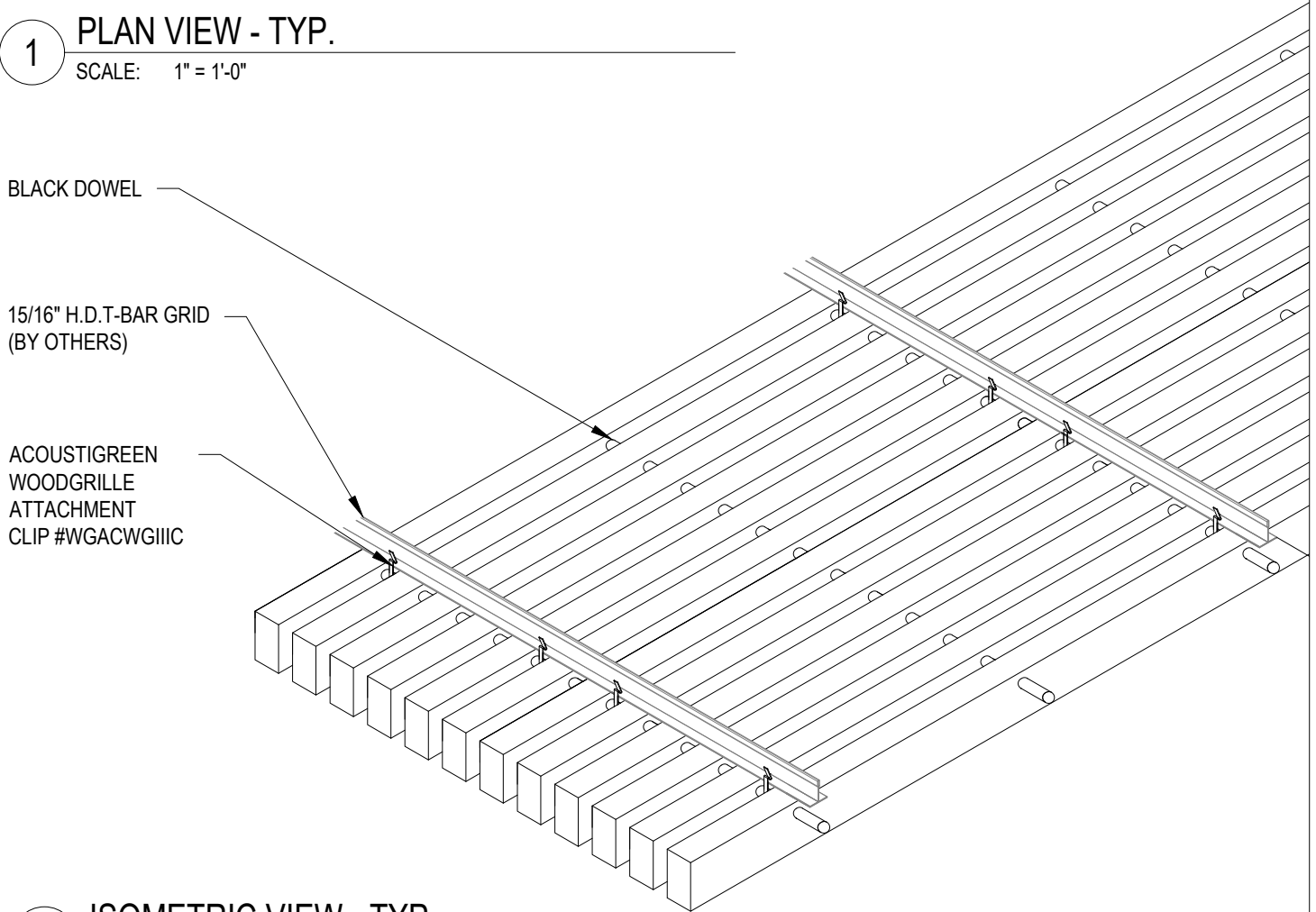
3 FLOATING
SCALE: 3" = 1'-0"



4 WALL ANGLE WITH TRIM
SCALE: 3" = 1'-0"



1 PLAN VIEW - TYP.
SCALE: 1" = 1'-0"



2 ISOMETRIC VIEW - TYP.
SCALE: 1 1/2" = 1'-0"



acoustigreen

123 Columbia Court North Chaska, MN 55318 (888) 258 4637

COPYRIGHT ACOUSTIGREEN © 2015

DRAWING NAME:

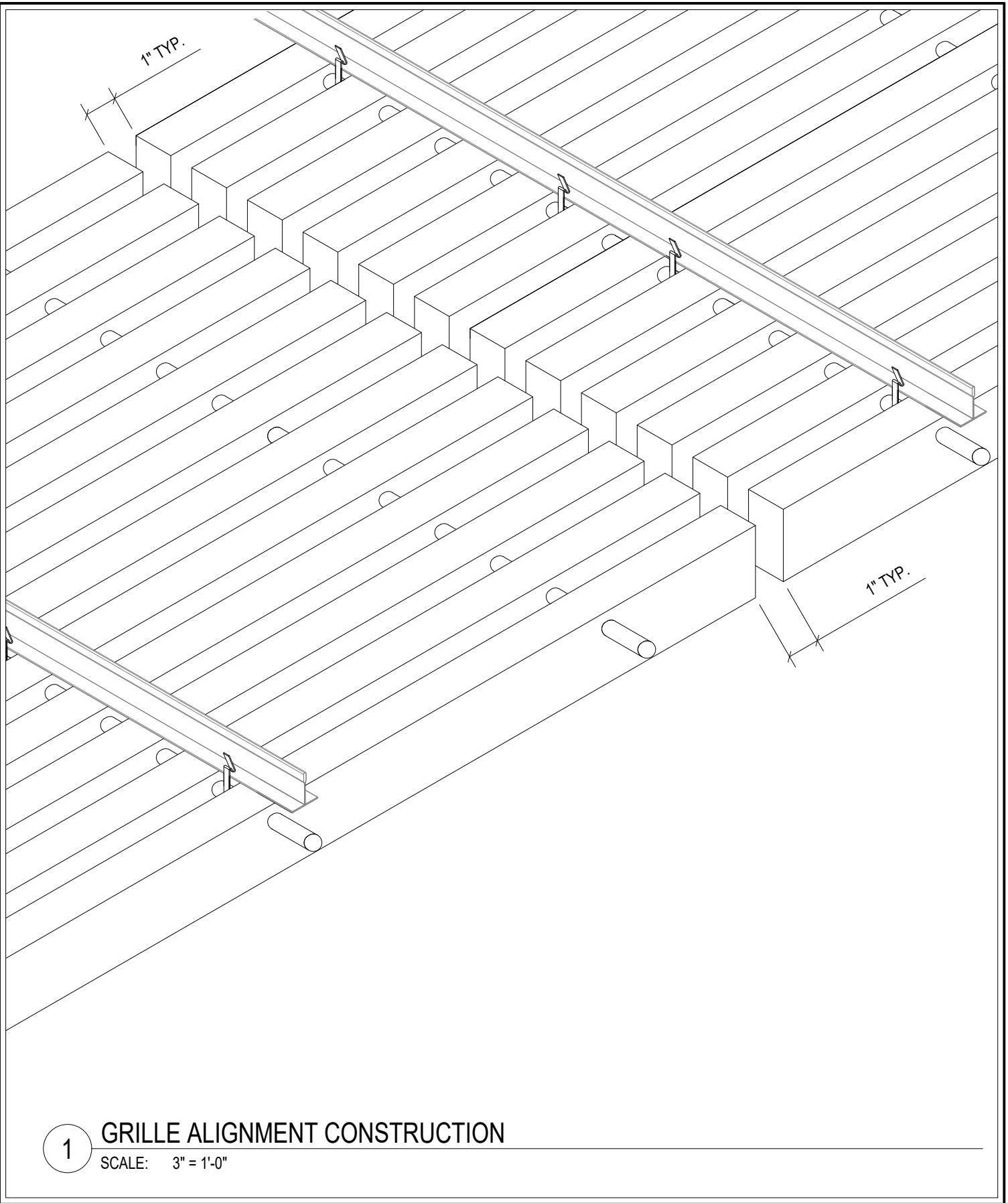
GRILLE SYSTEM CONSTRUCTION DETAILS

DRAFTED BY: YPN

LAST REVISED: 10/15/15

SCALE: AS NOTED

DO NOT SCALE DRAWING. FIGURED DIMENSIONS ARE TO BE FOLLOWED. READ THIS DRAWING IN CONNECTION WITH GENERAL ARCHITECTURAL PLANS, STRUCTURAL PLANS, AND OTHER RELATED DRAWINGS. THESE DRAWINGS REPRESENT ACOUSTIGREEN'S UNDERSTANDING AND INTERPRETATION OF THE ARCHITECTURAL DRAWINGS AND HOW ACOUSTIGREEN PRODUCTS RELATE TO THE PROJECT.



acoustigreen

123 Columbia Court North Chaska, MN 55318 (888) 258 4637

COPYRIGHT ACOUSTIGREEN © 2015

DRAWING NAME:

GRILLE SYSTEM ALIGNMENT CONSTRUCTION

DRAFTED BY: YPN

LAST REVISED: 10/15/15

SCALE: AS NOTED

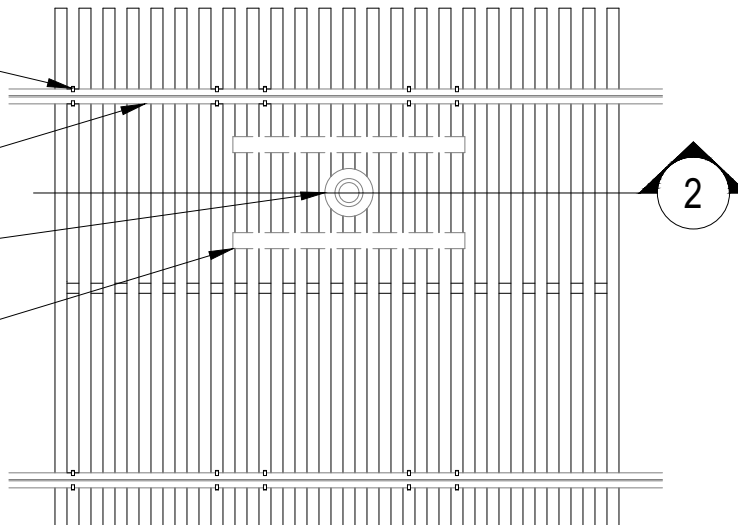
DO NOT SCALE DRAWING. FIGURED DIMENSIONS ARE TO BE FOLLOWED. READ THIS DRAWING IN CONNECTION WITH GENERAL ARCHITECTURAL PLANS, STRUCTURAL PLANS, AND OTHER RELATED DRAWINGS. THESE DRAWINGS REPRESENT ACOUSTIGREEN'S UNDERSTANDING AND INTERPRETATION OF THE ARCHITECTURAL DRAWINGS AND HOW ACOUSTIGREEN PRODUCTS RELATE TO THE PROJECT.

ACOUSTIGREEN
GRILLE ATTACHMENT
CLIP #WGACWGIIC

15/16" H.D. T-BAR GRID
(BY OTHERS)

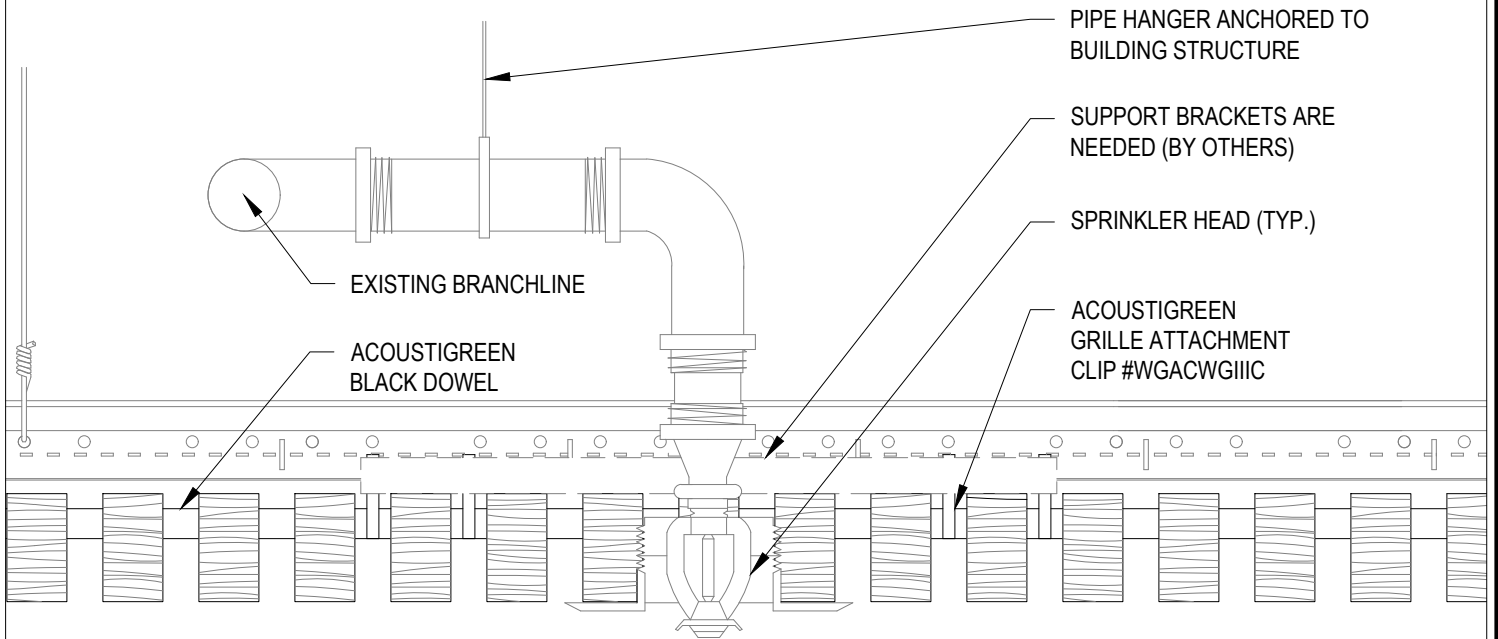
SPRINKLER HEAD
(TYP.)

SUPPORT BRACKETS
ARE NEEDED
(BY OTHERS)



1 SPRINKLER HEAD - PLAN VIEW

SCALE: 1" = 1'-0"



PIPE HANGER ANCHORED TO
BUILDING STRUCTURE

SUPPORT BRACKETS ARE
NEEDED (BY OTHERS)

SPRINKLER HEAD (TYP.)

ACOUSTIGREEN
GRILLE ATTACHMENT
CLIP #WGACWGIIC

EXISTING BRANCHLINE

ACOUSTIGREEN
BLACK DOWEL

2 SPRINKLER HEAD - SECTION VIEW

SCALE: 3" = 1'-0"



acoustigreen

123 Columbia Court North Chaska, MN 55318 (888) 258 4637

COPYRIGHT ACOUSTIGREEN © 2015

DRAWING NAME:

GRILLE SYSTEM SPRINKLER HEAD DETAILS

DRAFTED BY: YPN

LAST REVISED: 10/15/15

SCALE: AS NOTED

DO NOT SCALE DRAWING. FIGURED DIMENSIONS ARE TO BE FOLLOWED. READ THIS DRAWING IN CONNECTION WITH GENERAL ARCHITECTURAL PLANS, STRUCTURAL PLANS, AND OTHER RELATED DRAWINGS. THESE DRAWINGS REPRESENT ACOUSTIGREEN'S UNDERSTANDING AND INTERPRETATION OF THE ARCHITECTURAL DRAWINGS AND HOW ACOUSTIGREEN PRODUCTS RELATE TO THE PROJECT.

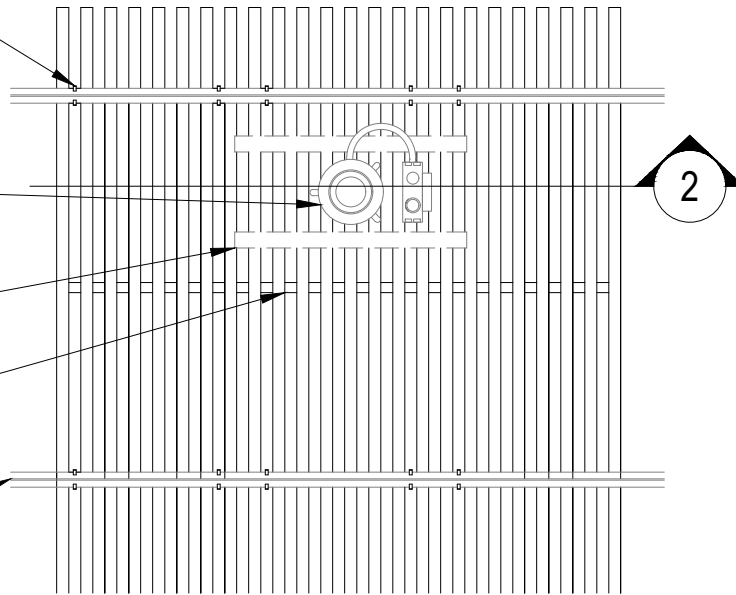
ACOUSTIGREEN GRILLE
ATTACHMENT
CLIPS #WGACWGIIC

RECESSED CAN
LIGHT (BY OTHERS)

SUPPORT BRACKETS
ARE NEEDED
(BY OTHERS)

BLACK DOWEL

15/16" HEAVY DUTY
T-BAR GRID
(BY OTHERS)



1

RECESSED LIGHT DETAIL - PLAN VIEW

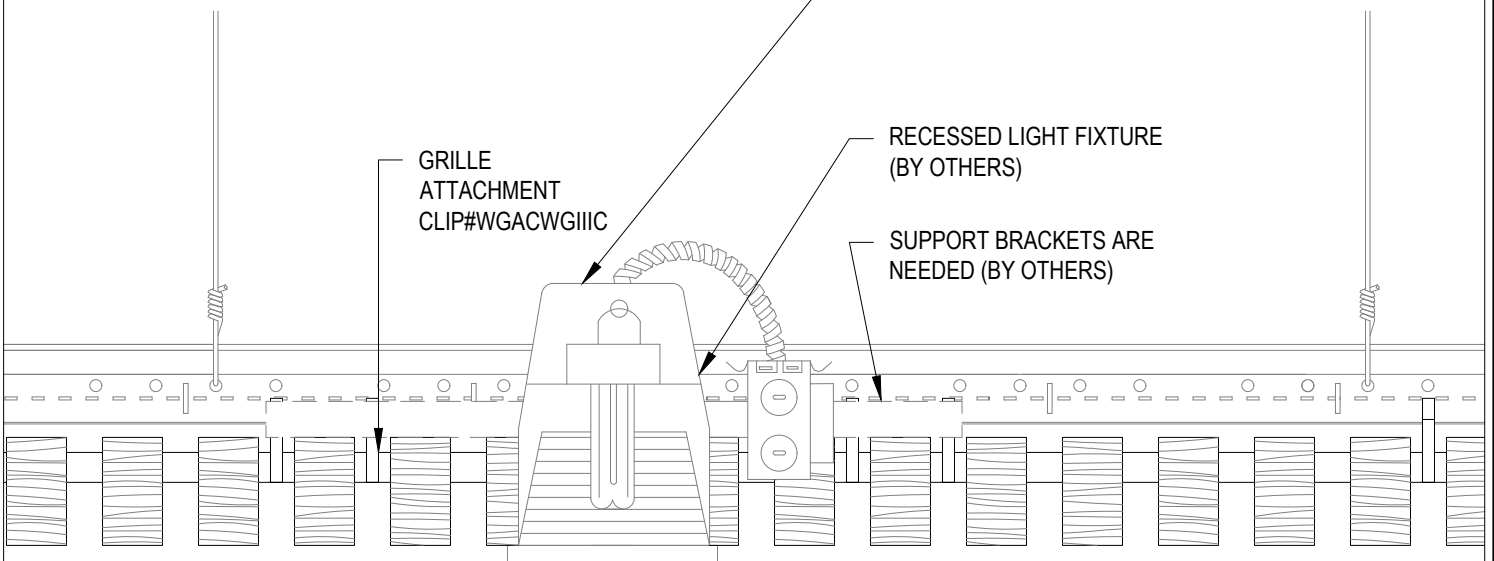
SCALE: 1" = 1'-0"

LIGHT FIXTURE MUST BE SUPPORTED
INDEPENDENTLY FROM THE WOOD CEILING

GRILLE
ATTACHMENT
CLIP#WGACWGIIC

RECESSED LIGHT FIXTURE
(BY OTHERS)

SUPPORT BRACKETS ARE
NEEDED (BY OTHERS)



2

RECESSED LIGHT DETAIL - SECTION VIEW

SCALE: 3" = 1'-0"



acoustigreen

123 Columbia Court North Chaska, MN 55318 (888) 258 4637

COPYRIGHT ACOUSTIGREEN © 2015

DRAWING NAME:

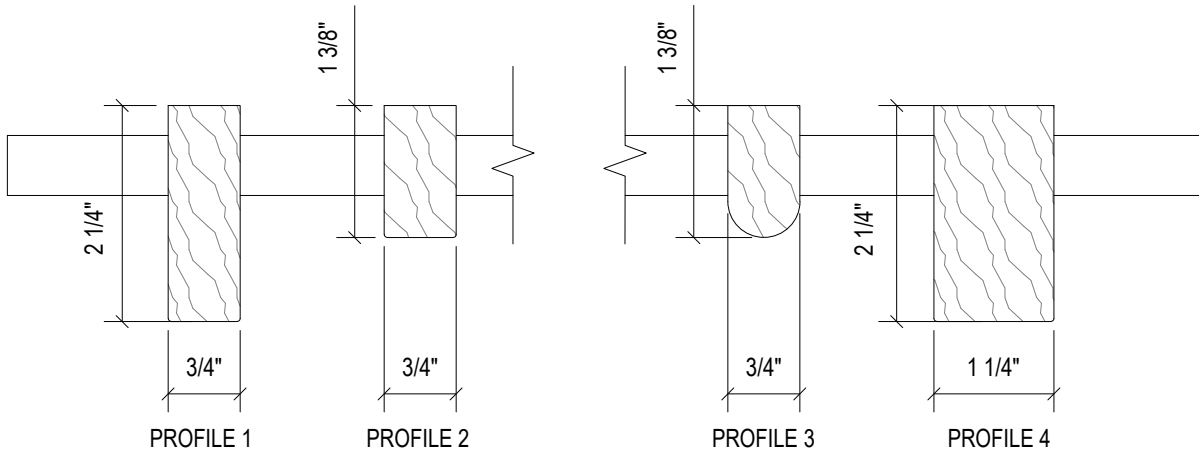
GRILLE SYSTEM RECESSED LIGHT DETAILS

DRAFTED BY: YPN

LAST REVISED: 1/28/16

SCALE: AS NOTED

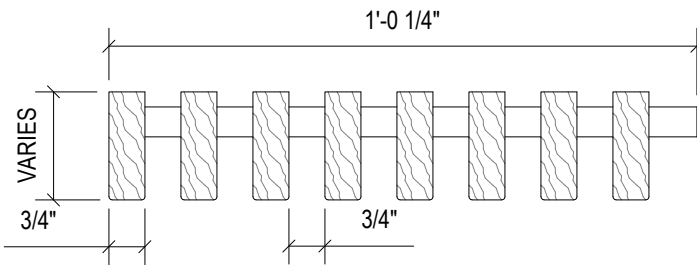
DO NOT SCALE DRAWING. FIGURED DIMENSIONS ARE TO BE FOLLOWED. READ THIS DRAWING IN CONNECTION WITH GENERAL ARCHITECTURAL PLANS, STRUCTURAL PLANS, AND OTHER RELATED DRAWINGS. THESE DRAWINGS REPRESENT ACOUSTIGREEN'S UNDERSTANDING AND INTERPRETATION OF THE ARCHITECTURAL DRAWINGS AND HOW ACOUSTIGREEN PRODUCTS RELATE TO THE PROJECT.



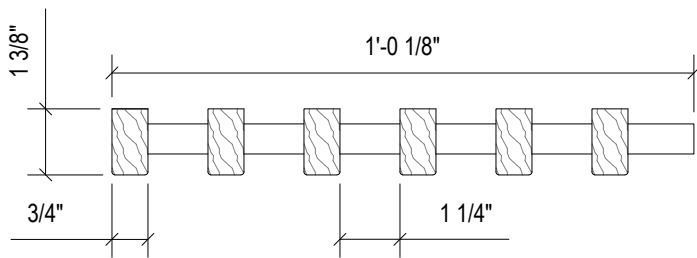
VENEER OR SOLID WOOD

SOLID WOOD ONLY

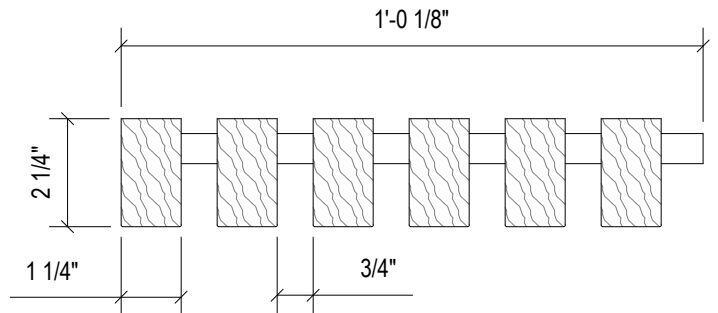
1 COMMON STAVE PROFILES
SCALE: 6" = 1'-0"



3/4" STAVE, 3/4" REVEAL - 8 STAVE PER FOOT



3/4" STAVE, 1 1/4" REVEAL - 6 STAVE PER FOOT



1 1/4" STAVE, 3/4" REVEAL - 6 STAVE PER FOOT

2 COMMON GRILLE PANEL LAYOUTS
SCALE: 3" = 1'-0"



acoustigreen

123 Columbia Court North Chaska, MN 55318 (888) 258 4637

COPYRIGHT ACOUSTIGREEN © 2015

DRAWING NAME:

GRILLE SYSTEM COMMON PROFILES

DRAFTED BY: YPN

LAST REVISED: 11/4/2015

SCALE: AS NOTED

DO NOT SCALE DRAWING. FIGURED DIMENSIONS ARE TO BE FOLLOWED. READ THIS DRAWING IN CONNECTION WITH GENERAL ARCHITECTURAL PLANS, STRUCTURAL PLANS, AND OTHER RELATED DRAWINGS. THESE DRAWINGS REPRESENT ACOUSTIGREEN'S UNDERSTANDING AND INTERPRETATION OF THE ARCHITECTURAL DRAWINGS AND HOW ACOUSTIGREEN PRODUCTS RELATE TO THE PROJECT.