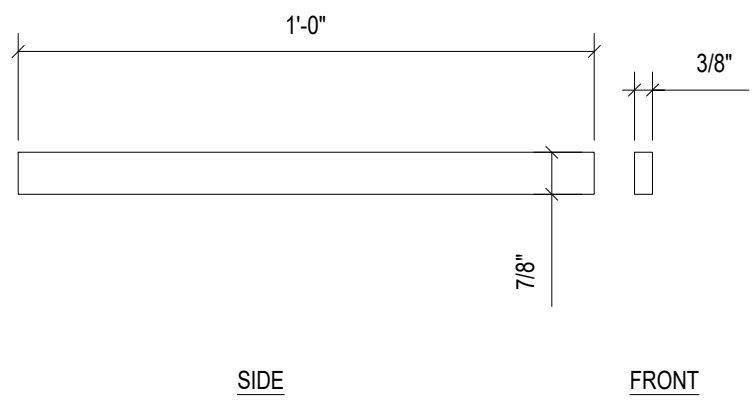
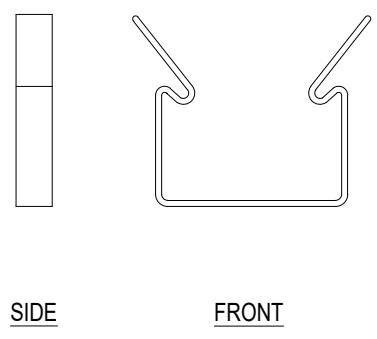


1 GRILLE SECTION DETAIL
SCALE: 3" = 1'-0"



2 SUSPENDED ATTACHMENT CLIP
SCALE: 1'-0" = 1'-0"

3 BACKER STRIP - TYP.
SCALE: 3" = 1'-0"

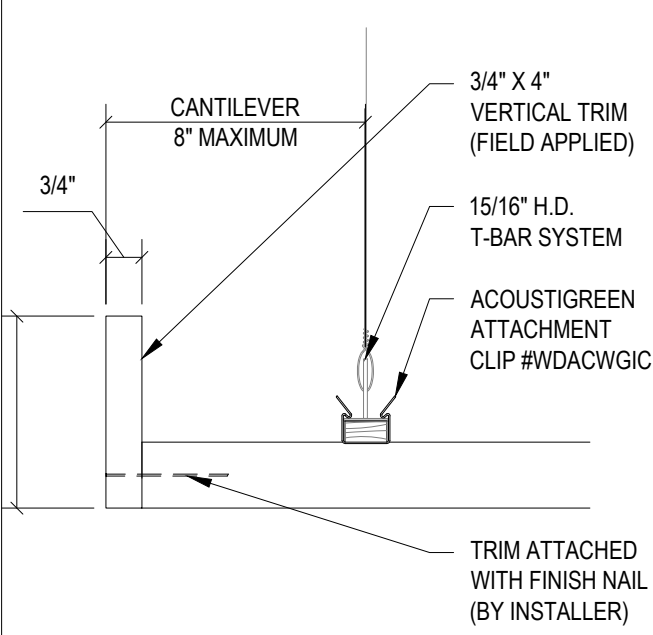


DRAWING NAME:
GRILLE w/ BACKER SYSTEM SECTION DETAILS

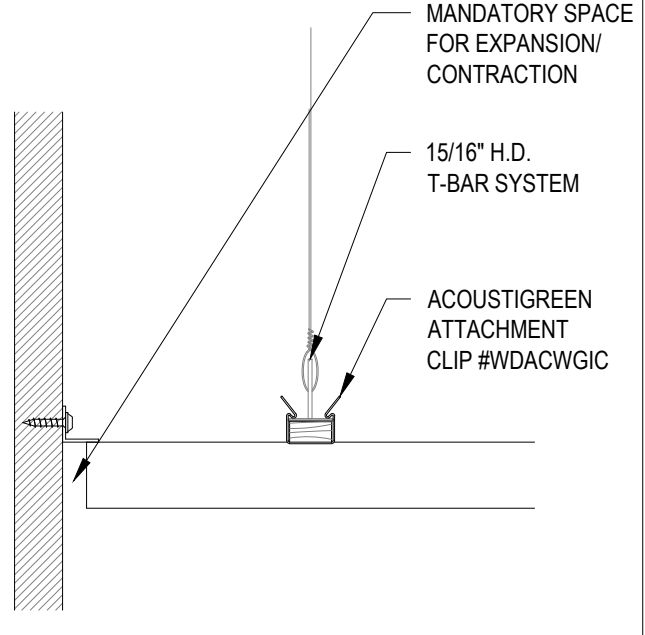
DRAFTED BY: YPN LAST REVISED: 12/1/2015 SCALE: AS NOTED

DO NOT SCALE DRAWING. FIGURED DIMENSIONS ARE TO BE FOLLOWED. READ THIS DRAWING IN CONNECTION WITH GENERAL ARCHITECTURAL PLANS, STRUCTURAL PLANS, AND OTHER RELATED DRAWINGS. THESE DRAWINGS REPRESENT ACOUSTIGREEN'S UNDERSTANDING AND INTERPRETATION OF THE ARCHITECTURAL DRAWINGS AND HOW ACOUSTIGREEN PRODUCTS RELATE TO THE PROJECT.

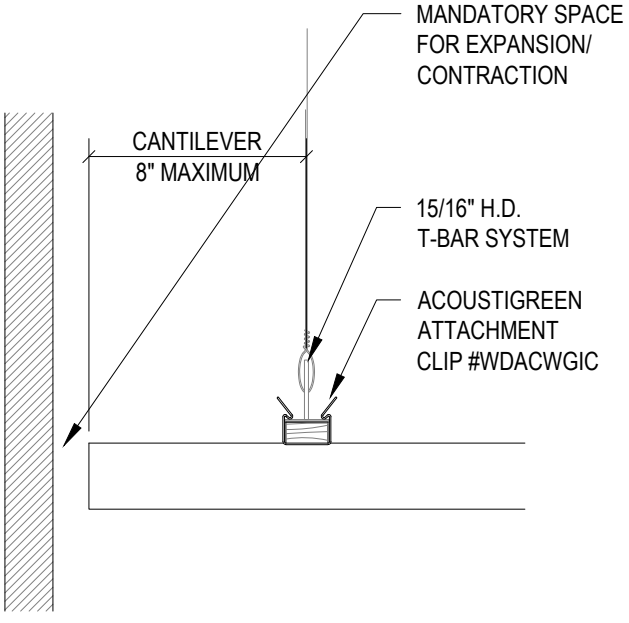
COPYRIGHT ACOUSTIGREEN © 2015



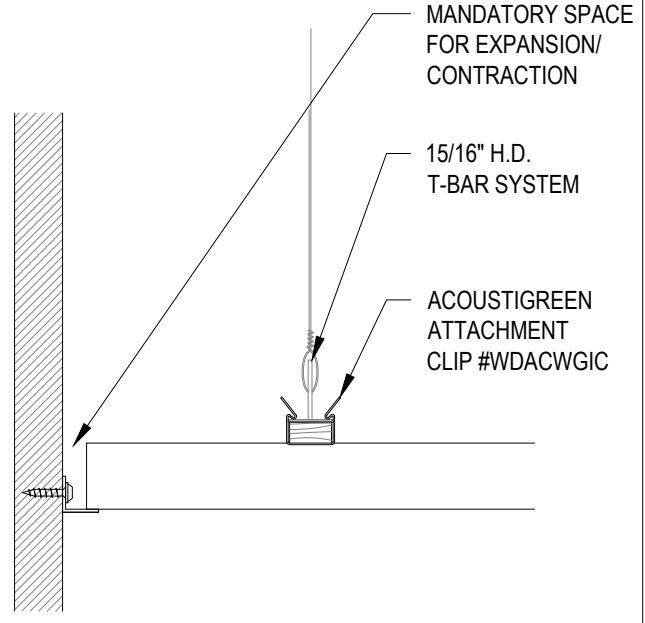
1 FLOATING WITH VERTICAL TRIM
SCALE: 3" = 1'-0"



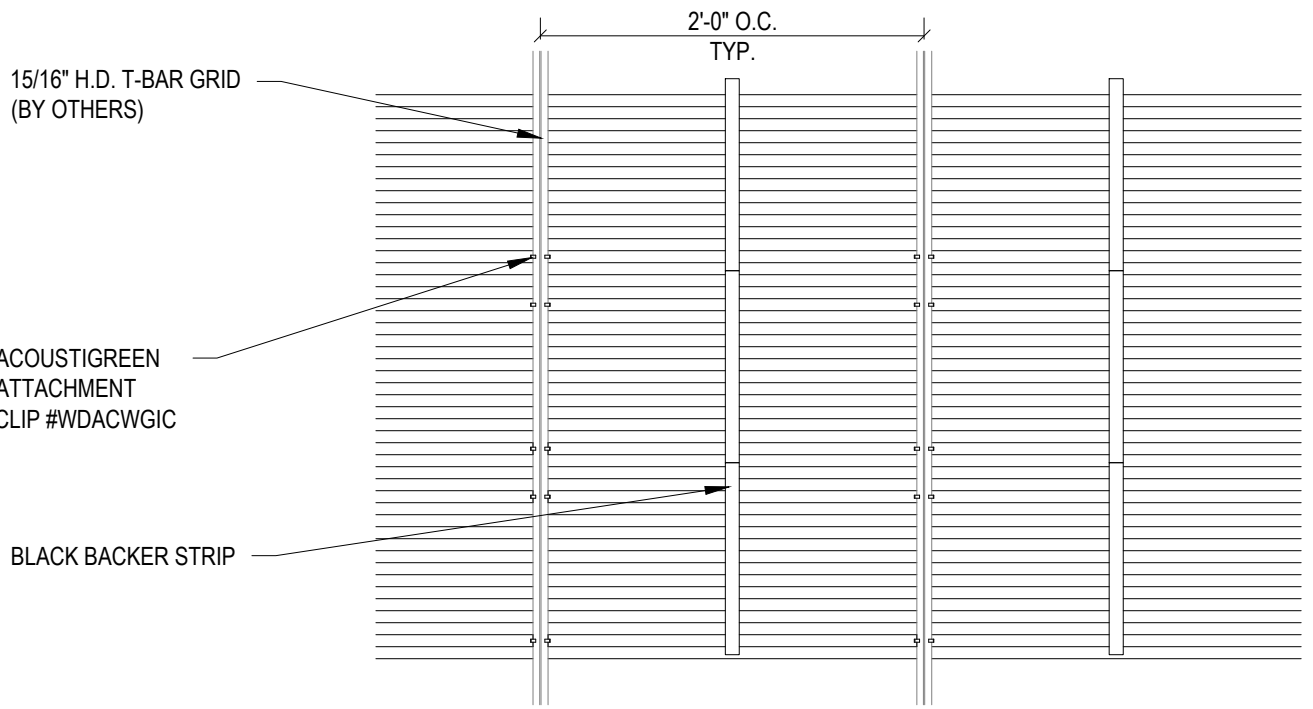
2 WALL ANGLE ABOVE
SCALE: 3" = 1'-0"



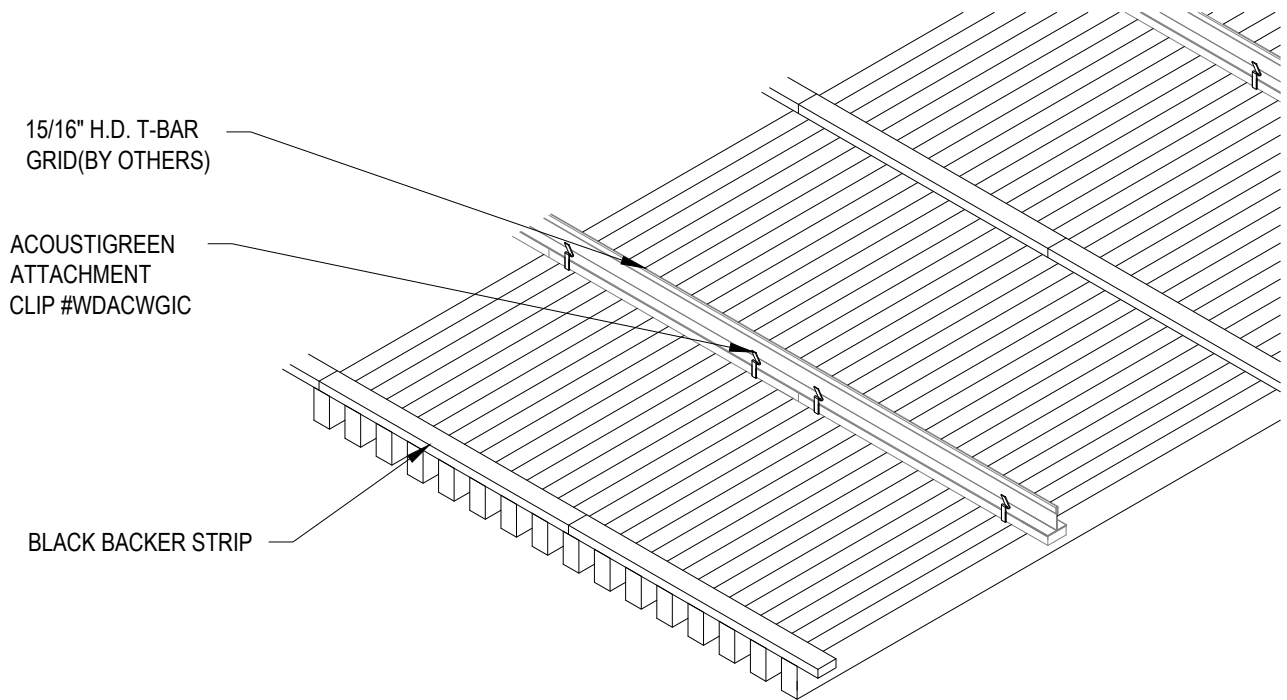
3 FLOATING
SCALE: 3" = 1'-0"



4 WALL ANGLE BELOW
SCALE: 3" = 1'-0"



1 PLAN VIEW - TYP.
SCALE: 1" = 1'-0"



2 ISOMETRIC VIEW - TYP.
SCALE: 1 1/2" = 1'-0"



acoustigreen
123 Columbia Court North Chaska, MN 55318 (888) 258 4637

COPYRIGHT ACOUSTIGREEN © 2015

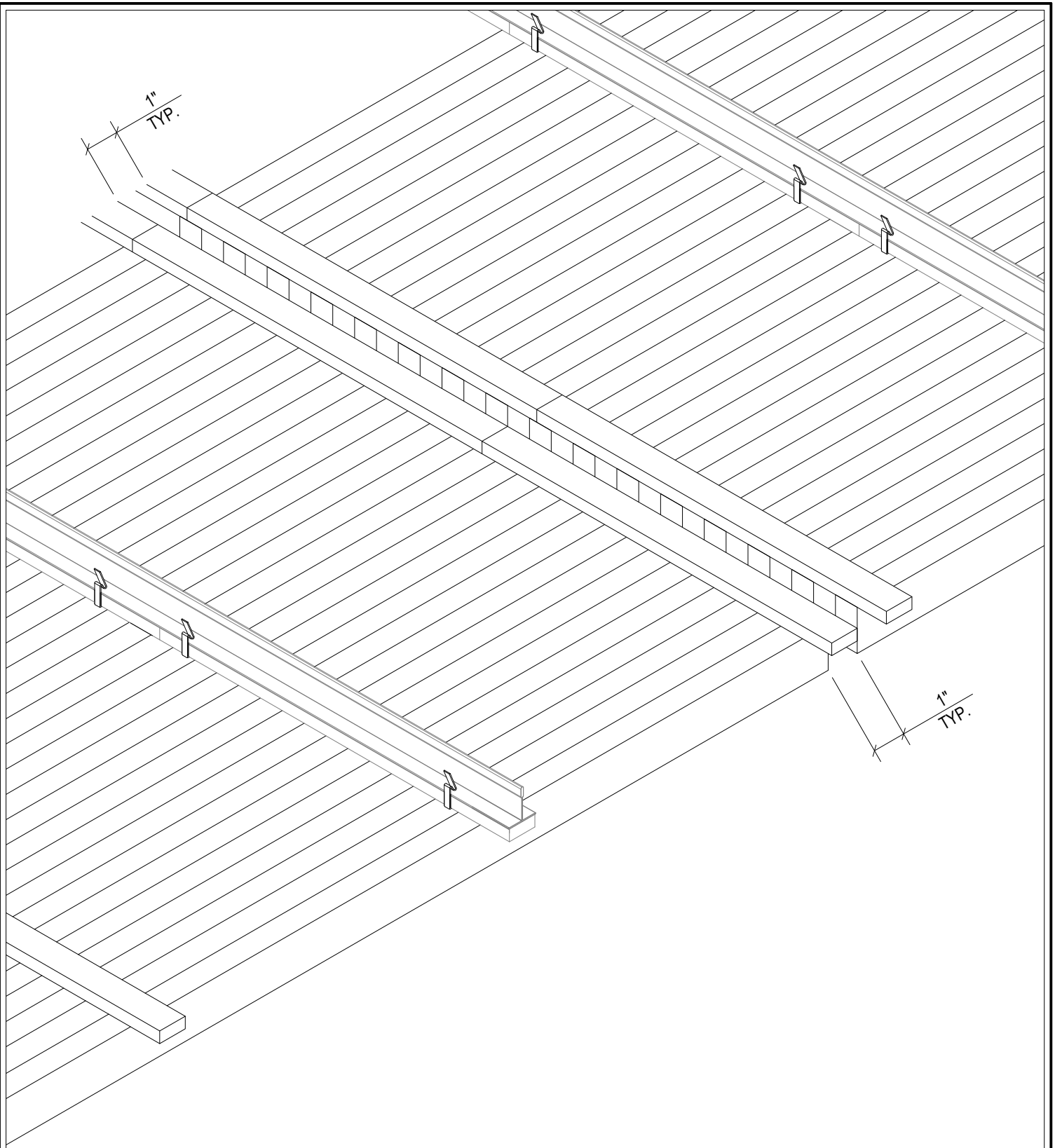
DRAWING NAME:
GRILLE w/ BACKER SYSTEM CONSTRUCTION DETAILS

DRAFTED BY: YPN

LAST REVISED: 12/1/2015

SCALE: AS NOTED

DO NOT SCALE DRAWING. FIGURED DIMENSIONS ARE TO BE FOLLOWED. READ THIS DRAWING IN CONNECTION WITH GENERAL ARCHITECTURAL PLANS, STRUCTURAL PLANS, AND OTHER RELATED DRAWINGS. THESE DRAWINGS REPRESENT ACOUSTIGREEN'S UNDERSTANDING AND INTERPRETATION OF THE ARCHITECTURAL DRAWINGS AND HOW ACOUSTIGREEN PRODUCTS RELATE TO THE PROJECT.



1"
TYP.

1"
TYP.

1 GRILLE ALIGNMENT - TYP.
SCALE: 3" = 1'-0"



acoustigreen

123 Columbia Court North Chaska, MN 55318 (888) 258 4637

COPYRIGHT ACOUSTIGREEN © 2015

DRAWING NAME:

GRILLE w/ BACKER SYSTEM ALIGNMENT CONSTRUCTION

DRAFTED BY: YPN

LAST REVISED: 12/1/2015

SCALE: AS NOTED

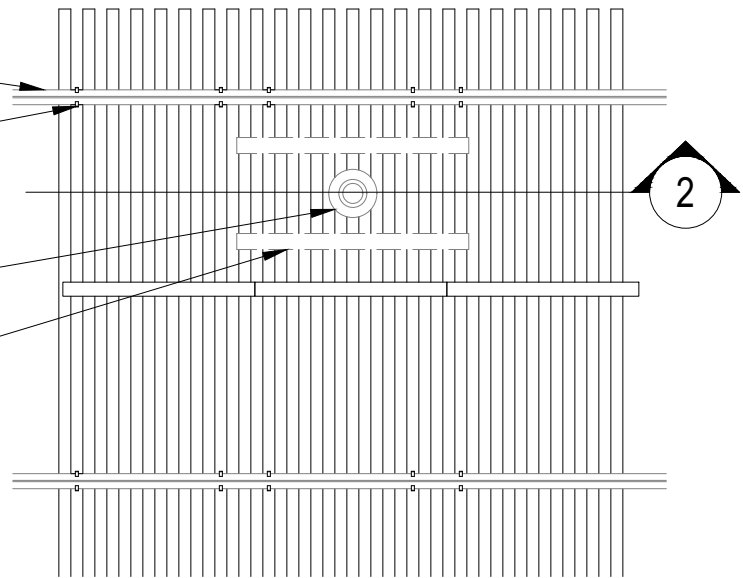
DO NOT SCALE DRAWING. FIGURED DIMENSIONS ARE TO BE FOLLOWED. READ THIS DRAWING IN CONNECTION WITH GENERAL ARCHITECTURAL PLANS, STRUCTURAL PLANS, AND OTHER RELATED DRAWINGS. THESE DRAWINGS REPRESENT ACOUSTIGREEN'S UNDERSTANDING AND INTERPRETATION OF THE ARCHITECTURAL DRAWINGS AND HOW ACOUSTIGREEN PRODUCTS RELATE TO THE PROJECT.

15/16" H.D. T-BAR GRID
(BY OTHERS)

ACOUSTIGREEN
ATTACHMENT
CLIP #WDACWGIC

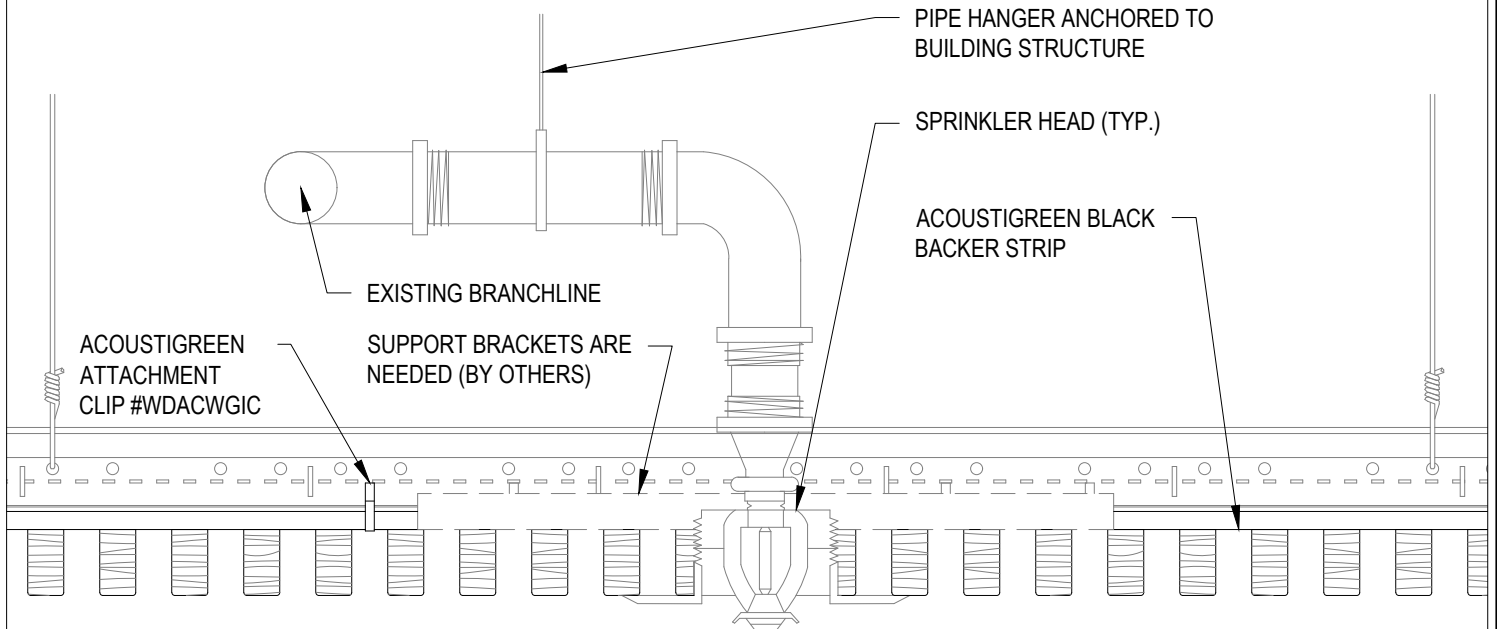
SPRINKLER HEAD (TYP.)

SUPPORT BRACKETS ARE
NEEDED (BY OTHERS)



1 SPRINKLER HEAD DETAIL - PLAN VIEW

SCALE: 1" = 1'-0"



2 SPRINKLER HEAD DETAIL - SECTION VIEW

SCALE: 3" = 1'-0"



acoustigreen

123 Columbia Court North Chaska, MN 55318 (888) 258 4637

COPYRIGHT ACOUSTIGREEN © 2015

DRAWING NAME:

GRILLE w/ BACKER SYSTEM SPRINKLER HEAD DETAILS

DRAFTED BY: YPN

LAST REVISED: 12/1/2015

SCALE: AS NOTED

DO NOT SCALE DRAWING. FIGURED DIMENSIONS ARE TO BE FOLLOWED. READ THIS DRAWING IN CONNECTION WITH GENERAL ARCHITECTURAL PLANS, STRUCTURAL PLANS, AND OTHER RELATED DRAWINGS. THESE DRAWINGS REPRESENT ACOUSTIGREEN'S UNDERSTANDING AND INTERPRETATION OF THE ARCHITECTURAL DRAWINGS AND HOW ACOUSTIGREEN PRODUCTS RELATE TO THE PROJECT.

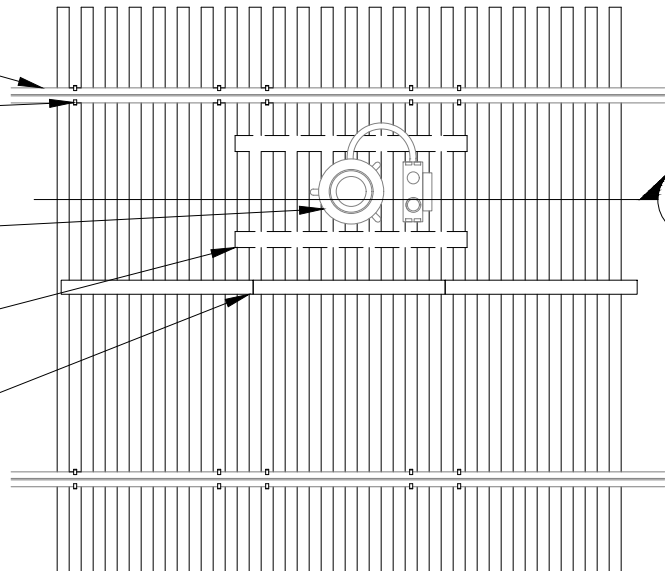
15/16" H.D. T-BAR GRID
(BY OTHERS)

ACOUSTIGREEN
ATTACHMENT
CLIP #WDACWGIC

RECESSED CAN
LIGHT (TYP.)

SUPPORT BRACKETS ARE
NEEDED (BY OTHERS)

BLACK BACKER STRIP



1

RECESSED LIGHT DETAIL - PLAN VIEW

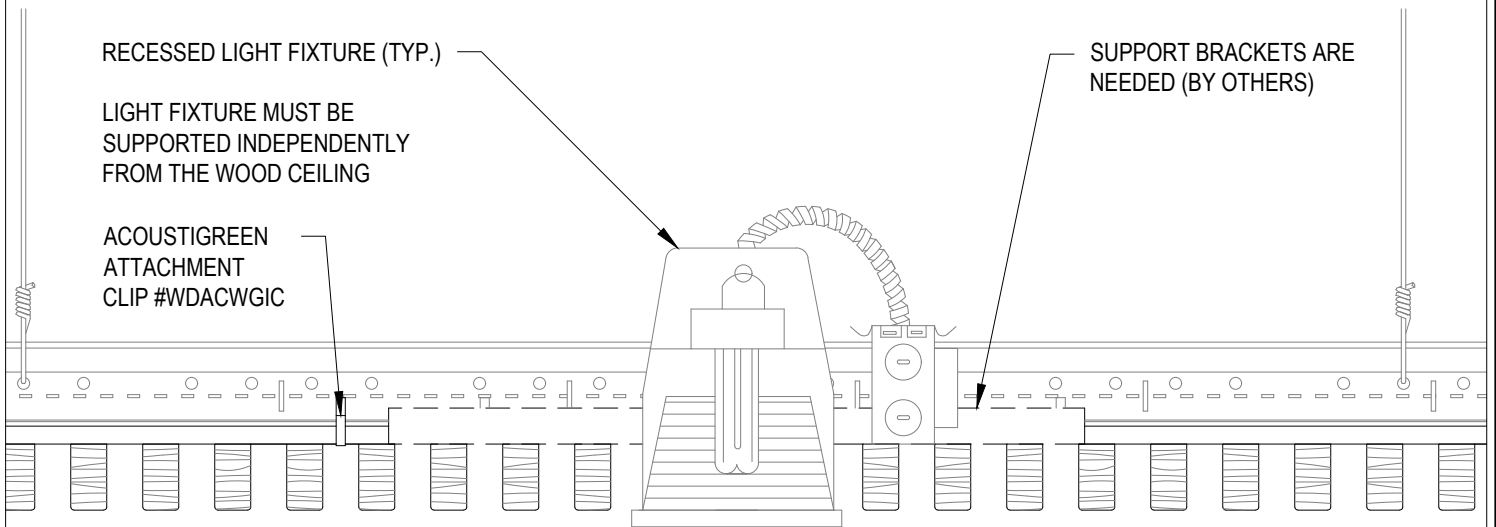
SCALE: 1" = 1'-0"

RECESSED LIGHT FIXTURE (TYP.)

LIGHT FIXTURE MUST BE
SUPPORTED INDEPENDENTLY
FROM THE WOOD CEILING

ACOUSTIGREEN
ATTACHMENT
CLIP #WDACWGIC

SUPPORT BRACKETS ARE
NEEDED (BY OTHERS)



2

RECESSED LIGHT DETAIL - SECTION VIEW

SCALE: 3" = 1'-0"



acoustigreen

123 Columbia Court North Chaska, MN 55318 (888) 258 4637

COPYRIGHT ACOUSTIGREEN © 2015

DRAWING NAME:

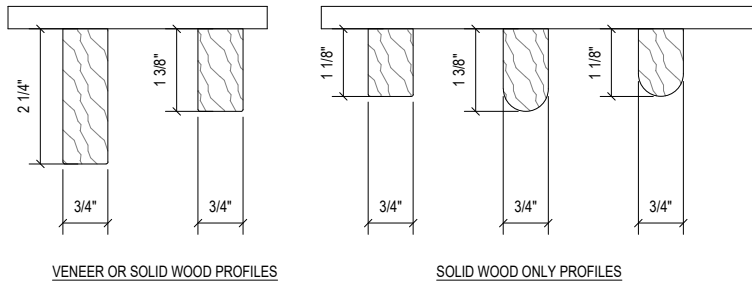
GRILLE w/ BACKER SYSTEM RECESSED LIGHT DETAILS

DRAFTED BY: YPN

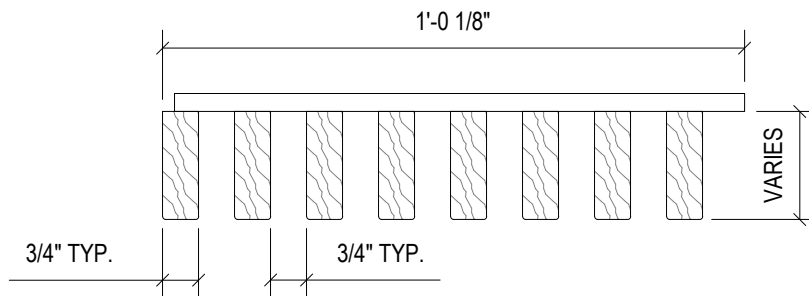
LAST REVISED: 12/1/2015

SCALE: AS NOTED

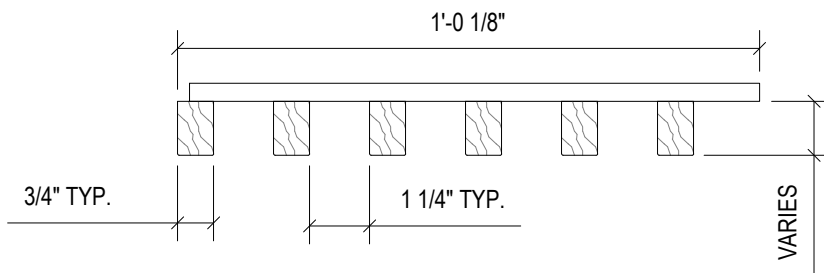
DO NOT SCALE DRAWING. FIGURED DIMENSIONS ARE TO BE FOLLOWED. READ THIS DRAWING IN CONNECTION WITH GENERAL ARCHITECTURAL PLANS, STRUCTURAL PLANS, AND OTHER RELATED DRAWINGS. THESE DRAWINGS REPRESENT ACOUSTIGREEN'S UNDERSTANDING AND INTERPRETATION OF THE ARCHITECTURAL DRAWINGS AND HOW ACOUSTIGREEN PRODUCTS RELATE TO THE PROJECT.



1 COMMON STAVE PROFILES
SCALE: 6" = 1'-0"



3/4" STAVE, 3/4" REVEAL - 8 STAVE PER FOOT



3/4" STAVE, 1 1/4" REVEAL - 6 STAVE PER FOOT

2 COMMON GRILLE PANEL LAYOUTS
SCALE: 3" = 1'-0"



acoustigreen
123 Columbia Court North Chaska, MN 55318 (888) 258 4637

COPYRIGHT ACOUSTIGREEN © 2015

DRAWING NAME:
GRILLE w/ BACKER SYSTEM COMMON PROFILES

DRAFTED BY: YPN

LAST REVISED: 12/1/2015

SCALE: AS NOTED

DO NOT SCALE DRAWING. FIGURED DIMENSIONS ARE TO BE FOLLOWED. READ THIS DRAWING IN CONNECTION WITH GENERAL ARCHITECTURAL PLANS, STRUCTURAL PLANS, AND OTHER RELATED DRAWINGS. THESE DRAWINGS REPRESENT ACOUSTIGREEN'S UNDERSTANDING AND INTERPRETATION OF THE ARCHITECTURAL DRAWINGS AND HOW ACOUSTIGREEN PRODUCTS RELATE TO THE PROJECT.