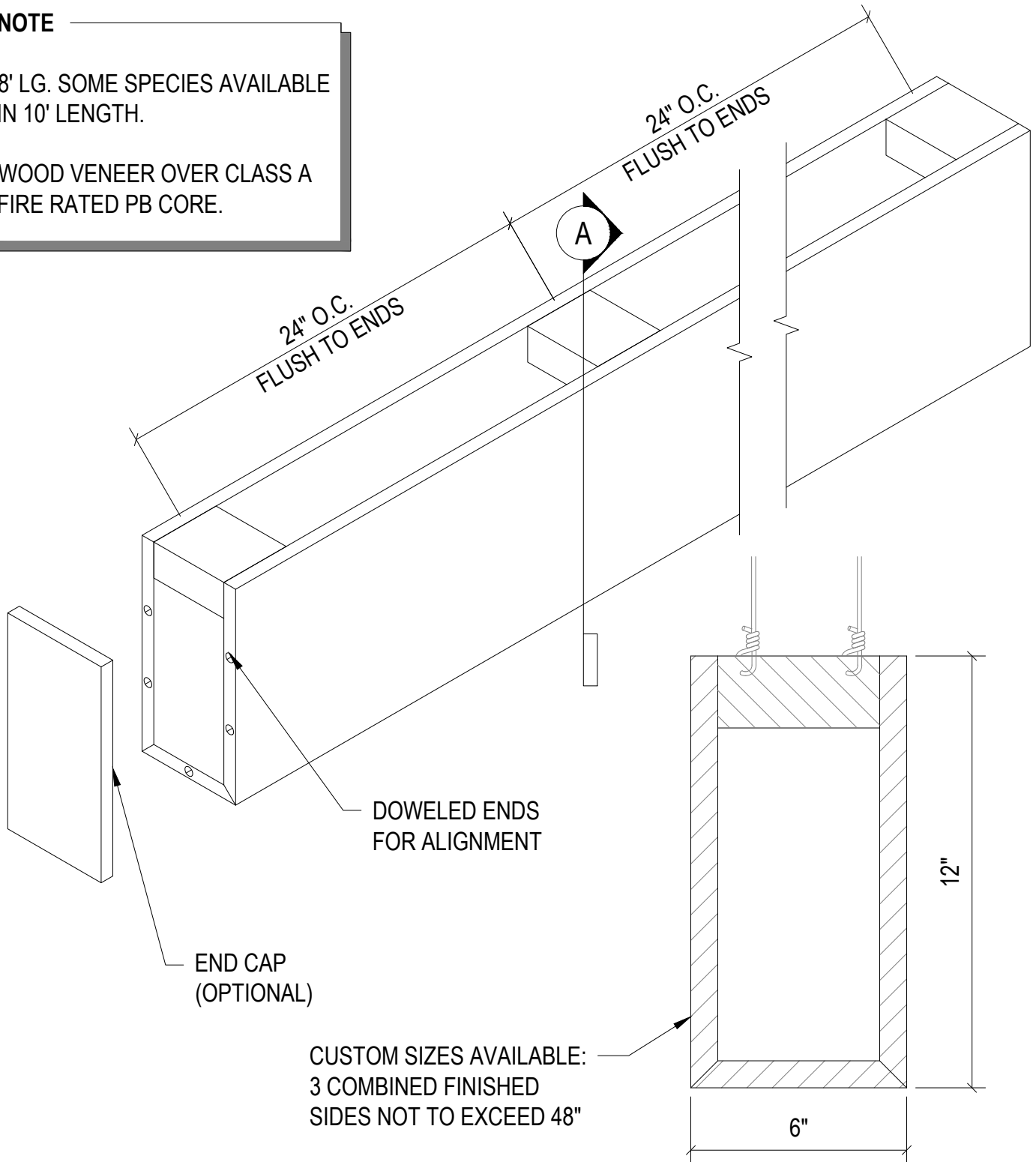


NOTE

8' LG. SOME SPECIES AVAILABLE
IN 10' LENGTH.

WOOD VENEER OVER CLASS A
FIRE RATED PB CORE.



DETAIL A

SCALE: 3" = 1'-0"

1 FALSE BEAM ISOMETRIC
SCALE: 1 1/2" = 1'-0"



acoustigreen

123 Columbia Court North Chaska, MN 55318 (888) 258 4637

COPYRIGHT ACOUSTIGREEN © 2015

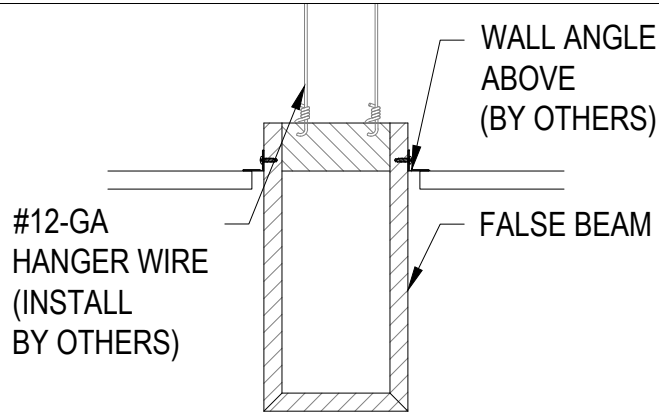
DRAWING NAME:
FALSE BEAM SYSTEM

DRAFTED BY: YN

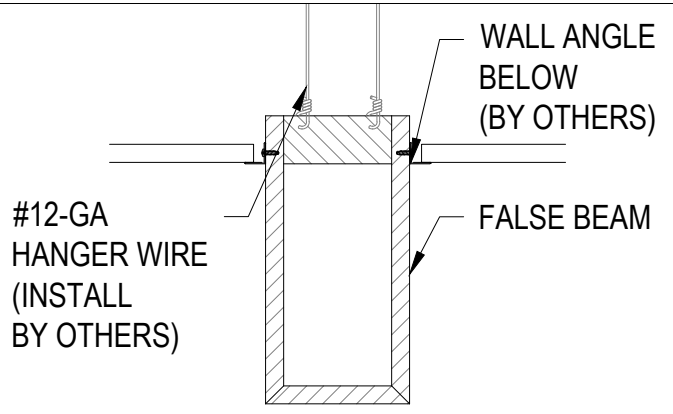
LAST REVISED: 1/7/2016

SCALE: NTS

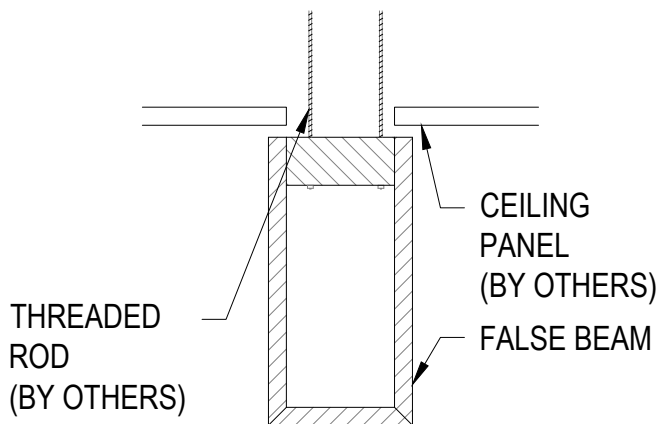
DO NOT SCALE DRAWING. FIGURED DIMENSIONS ARE TO BE FOLLOWED. READ THIS DRAWING IN CONNECTION WITH GENERAL ARCHITECTURAL PLANS, STRUCTURAL PLANS, AND OTHER RELATED DRAWINGS. THESE DRAWINGS REPRESENT ACOUSTIGREEN'S UNDERSTANDING AND INTERPRETATION OF THE ARCHITECTURAL DRAWINGS AND HOW ACOUSTIGREEN PRODUCTS RELATE TO THE PROJECT.



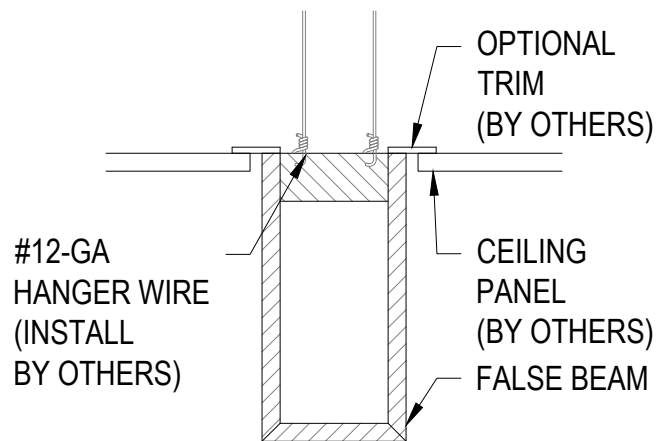
1 OPTION A
SCALE: 1 1/2" = 1'-0"



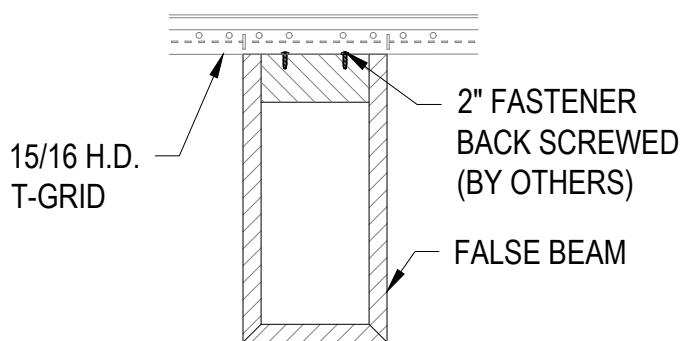
2 OPTION B
SCALE: 1 1/2" = 1'-0"



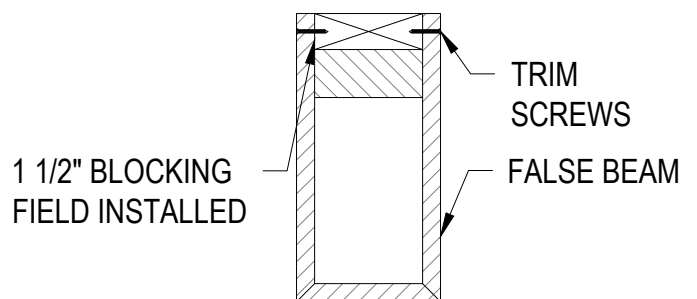
3 OPTION C
SCALE: 1 1/2" = 1'-0"



4 OPTION D
SCALE: 1 1/2" = 1'-0"



5 OPTION E
SCALE: 1 1/2" = 1'-0"



6 OPTION F
SCALE: 1 1/2" = 1'-0"